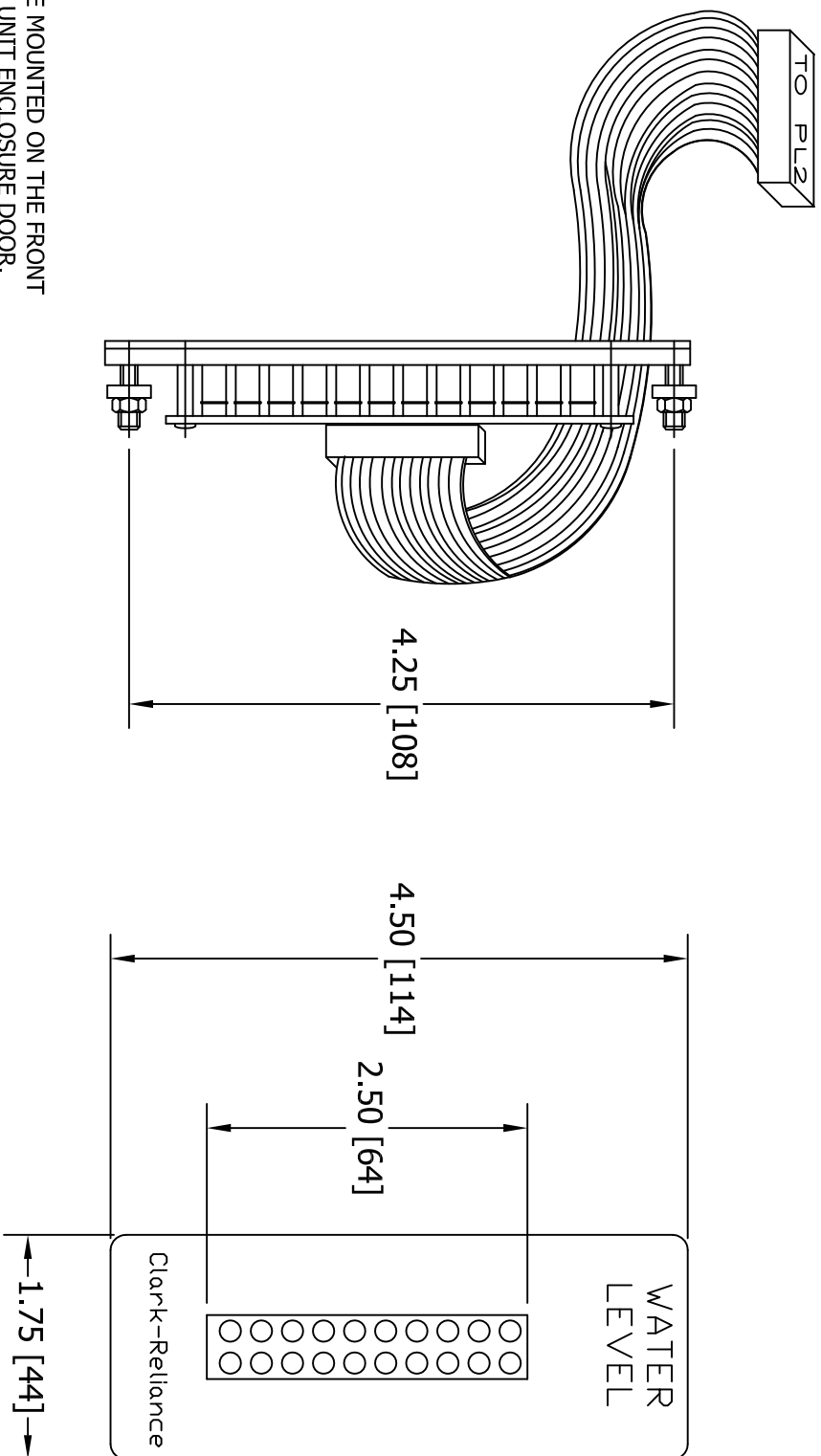


ITEM	QTY.	DESCRIPTION	PART NO.	DRAWING NO.
1	1	BI-COLOR INDICATOR ASSY WITH 24" LONG RIBBON CABLE - 12 V. DC	RSMI-30	E17126-A
2	1	NAMEPLATE	RSMI-34	E17133-A
3	1	GASKET - FOR NEMA 4 - 4X ENCLOSURES	RSMI-36	
4	1			

CABLE TO BE PLUGGED INTO "PL 2" LOCATED ON THE BOTTOM OF THE CONTROL UNIT PRINTED CIRCUIT BOARD



- 1) INDICATOR TO BE MOUNTED ON THE FRONT OF THE CONTROL UNIT ENCLOSURE DOOR.
- 2) WHEN NEMA 4 OR NEMA 4X ENCLOSURE IS FURNISHED, THE SMI-36 GASKET MUST BE PLACED BETWEEN THE BACK OF THE INDICATOR AND THE FRONT OF THE ENCLOSURE DOOR.

REV	DATE	DESCRIPTION	BY	ST
1	6/30/10	REDRAWN ON NEW FORMAT - NO CHANGES		
		CHANGE		

MANUFACTURED BY
Clark-Reliance®
 16633 FOLTZ PARKWAY
 STRONGSVILLE, OH 44149 USA
 PH: 440-572-1500
 WEB: www.clarkreliance.com

CLARK-RELIANCE®
 SMI-10BD DOOR MOUNTED SUB-MINIATURE
 BI-COLOR INDICATOR

PART NUMBER: RSMI-10BD	DRAWING NO.:	REV.:
TOLERANCE CLASS (PER PES-004):	E11107-A	1
MATERIAL:		
REVISION:		
DRAWN: ST		
CHECKED:		
DATE: 6/30/10		