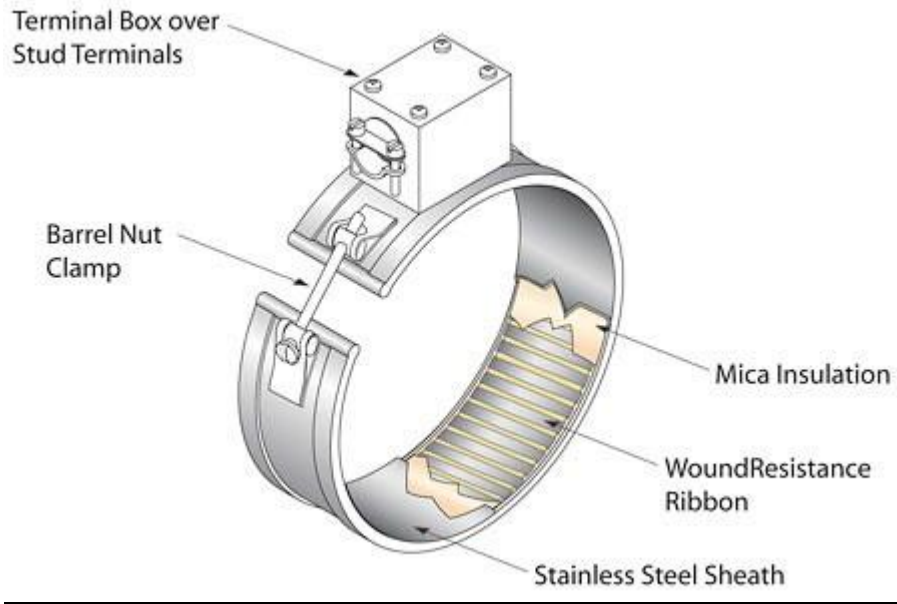


## Mica Band Heaters



Mica Band Heaters are constructed by winding a nickel chrome resistance ribbon around mica insulation and encapsulated in a stainless-steel sheath. It is then formed to the desired diameter for installation over a dies, barrels and nozzles. They are available in an extensive variety of sizes and shapes with options for holes, notches and cut-outs. A number of threaded terminals, wire lead options and terminal boxes offer great flexibility for field wiring. With temperature capabilities of up to 900°F, these heaters are ideal for plastic processing applications and for anywhere heat is needed on a round or curved surface.

300-Watt 220-Volt One Piece Band Heater 9" ID X 5" Wide, Terminal box with built in adjustable thermostat, One piece construction with barrel nut closure

**RECOVERY AND PURIFICATION SOLUTIONS THAT  
WORK FOR YOUR BUSINESS**

280 Holiday Inn Drive, Cambridge, Ontario, Canada N3C 1Z4 (P) 1-519-651-1034 (F) 1-519-651-1038  
[www.enervac.com](http://www.enervac.com) / [sales@enervac.com](mailto:sales@enervac.com)