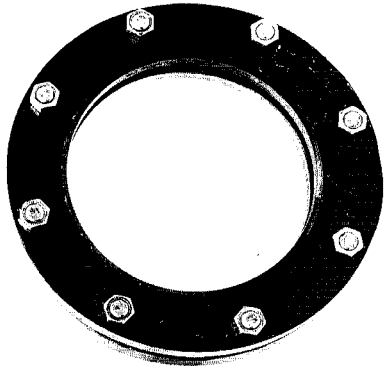
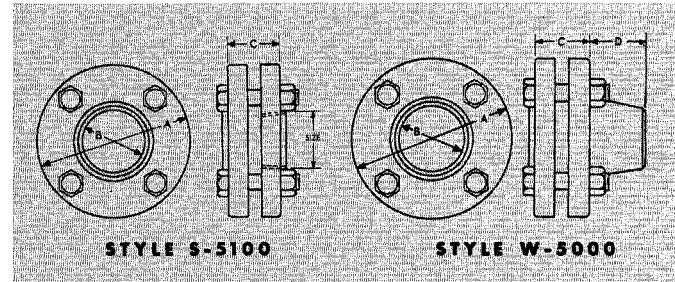
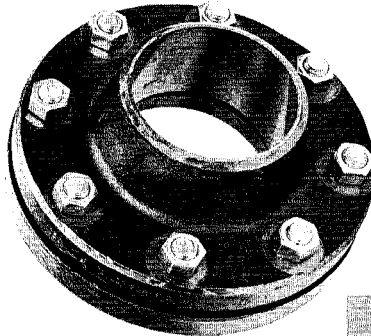
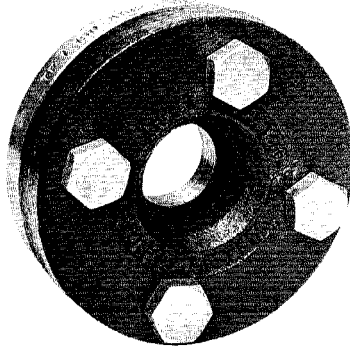
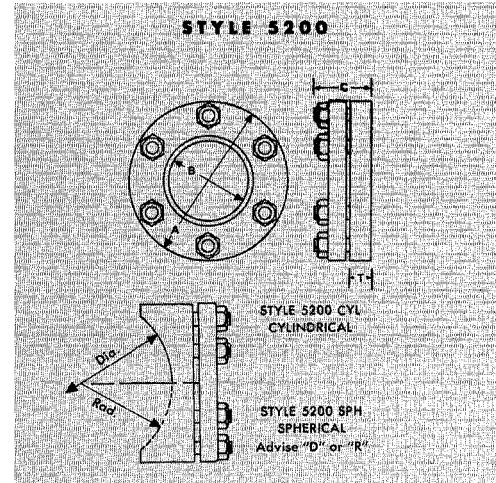


# SIGHT WINDOWS—NORMAL SERVICE TO 150 PSIG



## Style 5200 Weld Pad Window Style 5200

A weld pad type window to be welded directly to tank and vessel sides or covers. They are available with flat, cylindrical [5200-CYL], or spherically shaped [5200-SPH] weld pad. Specific welding instructions and requirements must be user specified for these omni-positional windows.



## Style S-5100 Female Threaded Sight Window

Designed to be turned onto the ends of pipe for viewing in any position.

## Style W-5000 Weld neck window

An omni-positional sight window to be welded directly to pipe ends or into tanks and vessels. Specific welding instructions must be user specified.

**STYLE S-5100**

Size	Pressure Rating	A	B	C	Approx. Wgt.
1"	150	4-1/4"	1-5/16"	1-1/4"	5#
1-1/4"	150	4-5/8"	1-3/8"	1-3/8"	7#
1-1/2"	150	5"	1-7/8"	1-1/2"	7#
2"	150	6"	2"	1-5/8"	12#
2-1/2"	150	7"	3"	2-1/8"	16#
3"	150	7-1/2"	3-1/8"	2-3/8"	18#
4"	150	9"	4-1/4"	2-3/8"	30#
5"	135/150	10"	5"	2-3/8"	34#
6"	90/150	11"	6-5/8"	2-5/8"	45#

**STYLE 5200**

Size	A	B	C	T	Pressure Rating	Approx. Wgt.
#2	3-5/16"	1-1/4"	1-3/4"	5/8"	150	2#
#3	4-7/16"	2"	1-13/16"	11/16"	150	3-1/2 #
#4	5-9/16"	2-9/16"	2-1/8"	3/4"	150	7#
#5	6-9/16"	3-3/16"	2-1/8"	3/4"	150	9#
#6	7-9/16"	4-1/4"	2-1/8"	3/4"	150	12#
#7	8-11/16"	5-1/4"	2-1/2"	7/8"	150	18#
#8	10-5/16"	6-7/8"	2-1/2"	7/8"	50/150	22#

**STYLE W-5000**

Size	Pressure Rating	A	B	C	D	Approx. Wgt.
1"	150	4-1/4"	1"	1-1/4"	1-5/8"	6#
1-1/4"	150	4-5/8"	1-3/8"	1-3/8"	1-5/8"	7#
1-1/2"	150	5"	1-5/8"	1-1/2"	1-3/4"	9#
2"	150	6"	2"	1-5/8"	1-3/4"	13#
2-1/2"	150	7"	3"	2-1/8"	1-7/8"	20#
3"	150	7-1/2"	3"	2-3/8"	1-13/16"	23#
4"	150	9"	4"	2-3/8"	2"	34#
5"	135/150	10"	5"	2-3/8"	2-1/2"	38#
6"	90/150	11"	6"	2-5/8"	2-1/2"	48#