

MATERIAL: SEE B/M
 DRAWN: FWK
 SCALE: NONE

CHECKED:
 DATE: 03/10/08

TLA, BODY
 W/ WN FLANGE

Section: E400
 Bulletin: E400.04
 Date: 3/10/08
 Supersedes: NEW

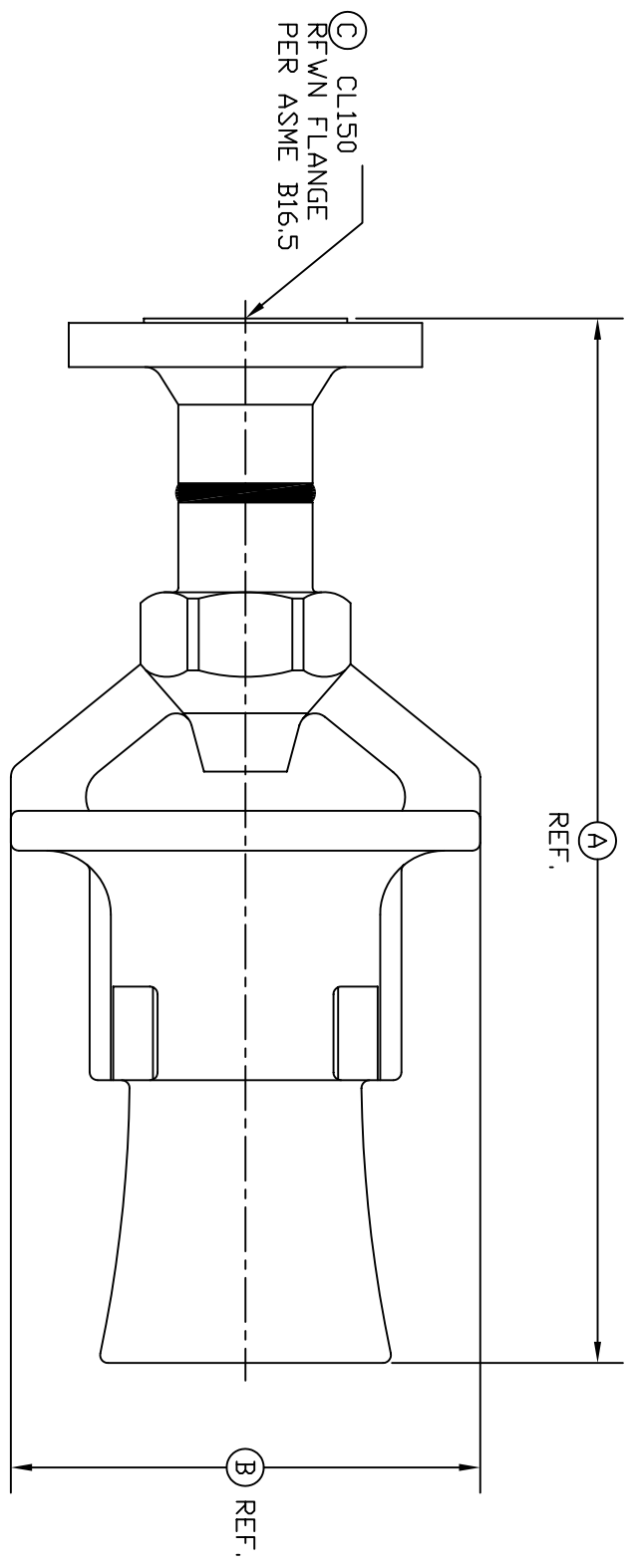
DIMS VALID FOR CL150 FLANGES ONLY

FILE NO.: E400-04.DWG



NOTE: BOLT HOLES STRADDLE CENTERLINES

THIS DRAWING AND ALL INFORMATION ON IT IS THE PROPERTY OF JACOBY-TARBOX, DIVISION OF THE CLARK-RELIANCE CORPORATION. IT IS CONFIDENTIAL AND IS GIVEN TO YOU FOR A LIMITED PURPOSE AND MUST BE RETURNED UPON REQUEST. NEITHER THIS DRAWING NOR ANY PART OF IT NOR ANY INFORMATION CONCERNING IT MAY BE COPIED, EXHIBITED OR FURNISHED TO OTHERS NOR MAY PHOTOGRAPHS BE TAKEN OF ANY ARTICLE FABRICATED OR ASSEMBLED FROM THIS DRAWING WITHOUT CONSENT OF THE CLARK-RELIANCE CORPORATION.



SIZE	PART No.	MATERIAL	A	B	C
3/8"	TB-3922-T10FLG1	316LSS	7.75	3.50	1/2"
	TB-3923-A27FLG1	CARBON STEEL	8.94	3.88	3/4"
3/4"	TB-3923-T10FLG1	316LSS	8.94	3.88	3/4"
	TB-3924-A27FLG1	CARBON STEEL	12.75	5.54	1-1/2"
1-1/2"	TB-3924-T10FLG1	316LSS	12.75	5.54	1-1/2"
	TB-3925-A27FLG1	CARBON STEEL	17.44	7.68	2"
2"	TB-3925-T10FLG1	316LSS	17.44	7.68	2"
	TB-3926-A27FLG1	CARBON STEEL	25.25	11.73	3"
3"	TB-3926-T10FLG1	316LSS	25.25	11.73	3"

- NOTES:
1. DIMENSION "B" IS THE O.D. OF THE FLANGE FOR 3/8" & 3/4" UNITS
 2. 3/8" UNITS AVAILABLE IN 316LSS ONLY