

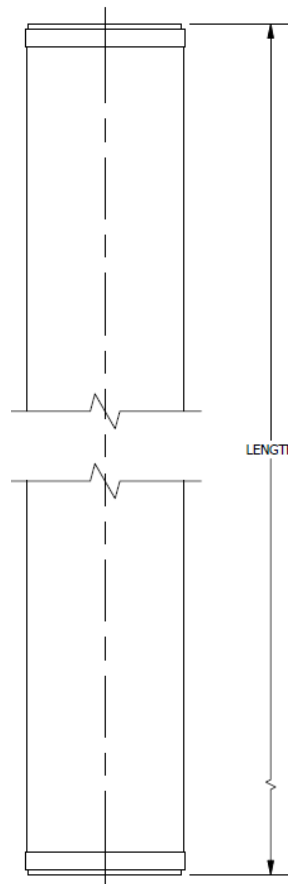
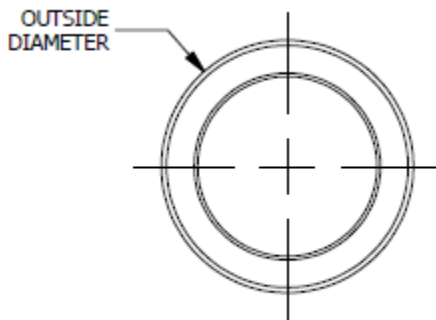
Protect critical process applications for increased reliability and overall performance. These elements are designed to optimize particle retention, aerosol coalescence, and drainage with low pressure drop. Removal efficiency rating based on ANSI/CAGI 400 testing protocol.

ACR	4	36	-	003	-	B	CE	*
<b>Media Type</b> Pleated Microglass	<b>Outside Diameter</b> 3 = 3.775" 4 = 4.563" 5 = 5.625" 6 = 6.000"	<b>Nominal Length</b> 16 = 16.00" 18 = 18.00" 19 = 19.00" 24 = 24.00" 30 = 30.00" 36 = 36.00"		<b>Micron Rating</b> 003 = 0.3 µm		<b>Seal Material</b> B = Buna G = Gylon T = PTFE V = FKM	<b>Cap Configuration</b> ___ = DOE CE = SOE w/ Bolt Hole CP = SOE w/ Post SS = 304 Stainless Caps/Cores	
<b>Drain Layer</b> Polyester Felt Sleeve								
<b>Cap &amp; Core Material</b> Plated Steel								

\* Filters using the special field will include a three digit code. Example ACR-436-003-BCE-001

### Recommended Operating Conditions

<b>Flow Direction</b>	Inside → Out
<b>Change Out Differential</b>	15 PSID
<b>Maximum Differential</b>	50 PSID
<b>Maximum Temperature</b>	250° F (Buna) 275° F (Viton)



For more information, email [PurityProducts@clark-reliance.com](mailto:PurityProducts@clark-reliance.com)