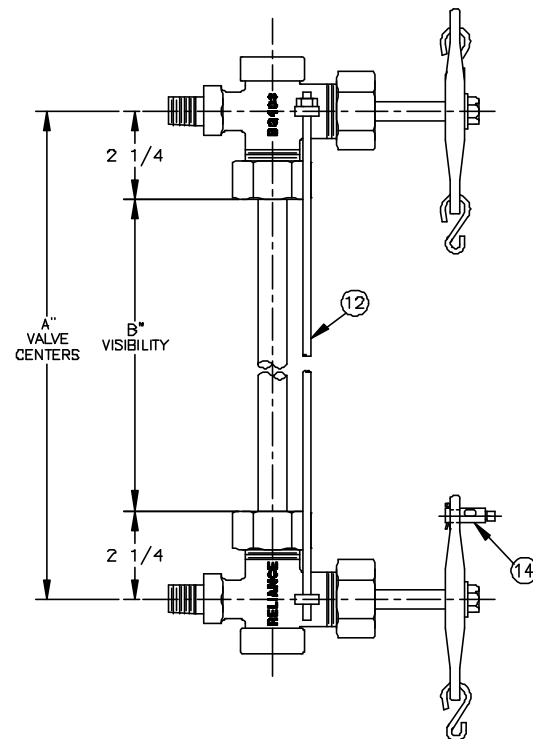


MAXIMUM W.P. - 250 LBS P.S.I.G.
 B"=VISIBLE GLASS = A" MINUS 4 1/2"
 GAGE GLASS OVERALL LENGTH = A" - 2 3/4"

BILL OF MATERIAL - PER SET

ITEM	PART NO	QTY.	DESCRIPTION	MAT'L	DWG. #
1	BG403R-1	1	LOWER VALVE BODY	SB-61	AB-19342
2	BG403R-2	2	GLASS PACKING NUT	BRASS	A-4710
3	BG403R-3	2	STEM PACKING NUT	BRASS	A-4710
4	BG403R-4	2	STEM PACKING GLAND	BRASS	A-4713
5	BG403R-5	2	STEM PACKING WASHER	BRASS	A-4713
6	SG454-10	2	GLASS PACKING WASHER	STEEL	A-4713
7	BG403RS-3B	2	VALVE STEM	303 STN STL	A-18154
8	BG403R-12	2	GLASS PACKING	CRANE SS2K	BG7000-A
9	BG403R-9	6	STEM PACKING	SUPER SEAL #1	A-19585
10	BG403RS-1	2	SPROCKET	SINTERED IRON	A-7255
11	BG403RS-2	2	LEVERS - UPPER AND LOWER	MALL. IRON	A-7254
12	RGR ROD	2	GUARD RODS- LENGTH=VALVE CNTRS. + 1"	STEEL	SK3-4-57
13	RBG403R 17	10 FT.	CHAIN (2 - 5 FT. LENGTHS) - W/S' HOOKS	STEEL	--
14	BG403R-15	1	CHAIN FIXTURE	BRASS	A-3047
15	X17212D	2	HEX HEAD CAP SCREW	STEEL	--
16	BG403R-18 & 19	1 SET	CHAIN HANDLES	ALUMINUM	A-6282
17	X17413D	2	SHAKEPROOF LOCK WASHER	STEEL	--
18	BG403R-1A	1	UPPER VALVE BODY	SB-61	AB-19342



THE CLARK-RELIANCE CORP.
 STRONGVILLE, OHIO

BG403RS BRONZE WATER
 GAGE VALVE

MATERIAL

DRAWN FAS SCALE NONE
 CHKD. DATE 7-29-93

DRAWING NO. REV.
 B-4882 13

UNLESS OTHERWISE NOTED:
 TOLERANCES (3)
 DECIMAL & STOCK (.002)
 FIN. FRACTIONAL (<UP TO 1", NOT INCL.) (.010)
 FIN. FRACTIONAL (1" INCL., UP TO 3") 1/64
 FIN. FRACTIONAL (3" INCL., UP TO 6") 1/32
 FIN. FRACTIONAL (6" INCL., UP TO 12") 1/16
 FIN. FRACTIONAL (12" & OVER) 1/8
 ANGLES 1"
 MACHINE FINISH- 125√ OR SMOOTHER
 REMOVE BURRS AND SHARP EDGES

REV	DESCRIPTION	DATE	SIG
13	REDRAWN - NO CHANGES	5/15/97	DAC
12	REDRAWN - NO CHANGES	7-29-93	FAS
REVISIONS			