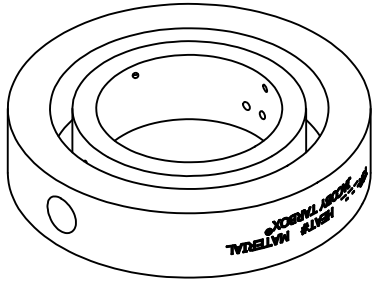


THIS DRAWING AND ALL INFORMATION ON IT IS THE PROPERTY OF THE CLARK-RELIANCE CORPORATION. IT IS CONFIDENTIAL AND IS GIVEN TO YOU FOR A LIMITED PURPOSE AND MUST BE RETURNED UPON REQUEST. NEITHER THIS DRAWING NOR ANY PART OF IT NOR ANY INFORMATION CONCERNING IT MAY BE COPIED, EXHIBITED OR FURNISHED TO OTHERS NOR MAY PHOTOGRAPHS BE TAKEN OF ANY ARTICLE FABRICATED OR ASSEMBLED FROM THIS DRAWING WITHOUT CONSENT OF THE CLARK-RELIANCE CORPORATION.

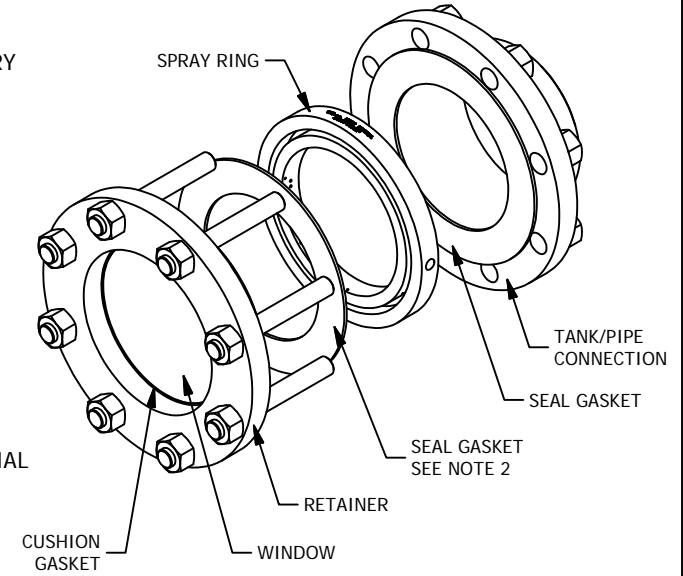
SPRAY RING DROP-IN STYLE

SECTION: T400
BULLETIN: T400.70
DATE: 2/6/2019
SUPERSEDES: NEW
FILE NO.: T400-70
DRAWN: MWS | CHECKED: DEP
SCALE: NONE

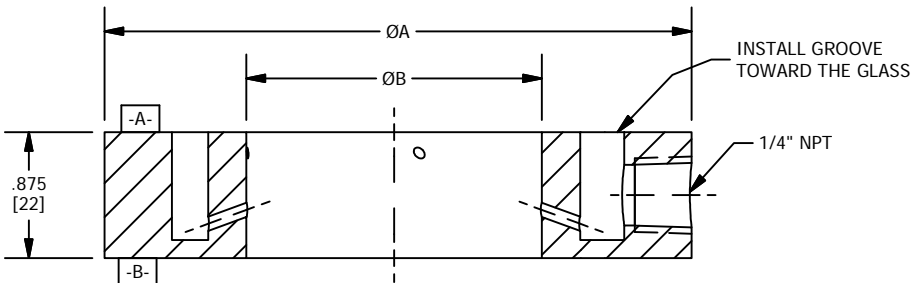
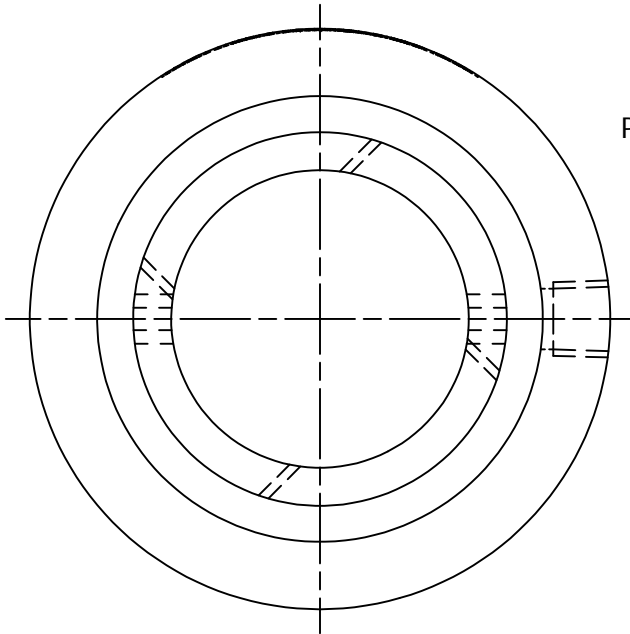
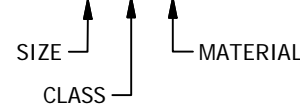


- NOTES:
- 1) ADDITIONAL MATERIALS AVAILABLE, CONSULT FACTORY
 - 2) SEAL GASKET MUST BE STANDARD ASME RING GASKET WITH "OLD" ID
 - 3) FASTNER NOTE FOR UPGRADES: ADD 1" (25mm) TO YOUR ORIGINAL FASTENER LENGTH.
 - 4) SURFACES **-A-** & **-B-** SERRATED PER ASME B16.5

FULL ASSEMBLY EXAMPLE



PART NUMBER EXAMPLE: TSR-2-150-S



SIZE	CLASS	PART NUMBER	A		B		NO. OF SPRAY HOLES
			IN	mm	IN	mm	
2	150	TSR-2-150-	4.031	102	1.688	43	8
2	300	TSR-2-300-	4.281	109	1.688	43	8
2.50	150	TSR-2.50-150-	4.781	121	1.688	43	8
2.50	300	TSR-2.50-300-	5.031	128	1.688	43	8
3	150	TSR-3-150-	5.281	134	2.625	67	8
3	300	TSR-3-300-	5.771	147	2.625	67	8
4	150	TSR-4-150-	6.781	172	2.625	67	8
4	300	TSR-4-300-	7.031	179	2.625	67	8
4	600	TSR-4-600-	7.531	191	2.625	67	8
6	150	TSR-6-150-	8.651	220	3.563	91	10
6	300	TSR-6-300-	8.771	223	3.563	91	10
6	600	TSR-6-600-	10.411	264	3.563	91	10
8	150	TSR-8-150-	10.901	277	3.563	91	10
8	300	TSR-8-300-	12.031	306	3.563	91	10
8	600	TSR-8-600-	12.531	318	3.563	91	10
10	150	TSR-10-150-	13.281	337	5.500	140	10
10	300	TSR-10-300-	14.161	360	5.500	140	10
10	600	TSR-10-600-	15.651	398	5.500	140	10