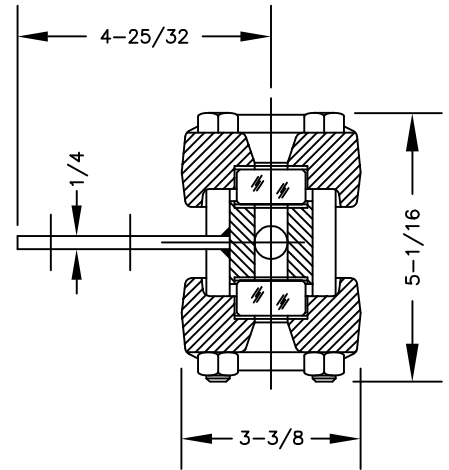
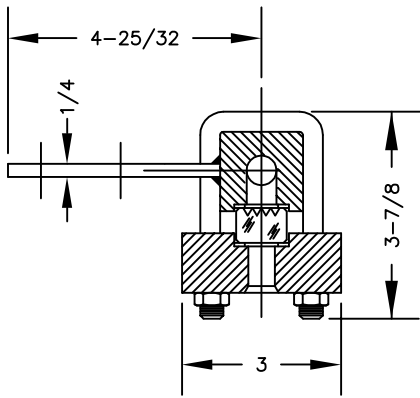


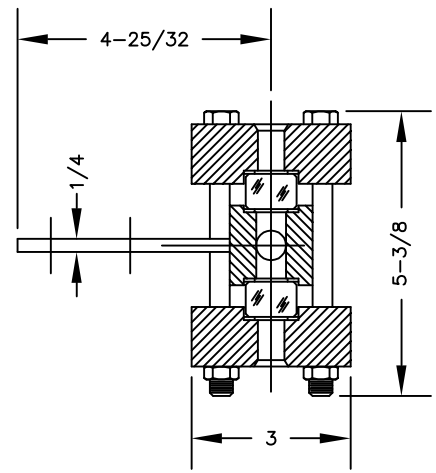
SERIES R-20



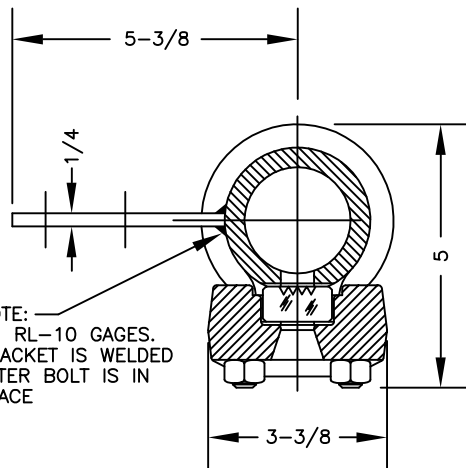
SERIES T-20



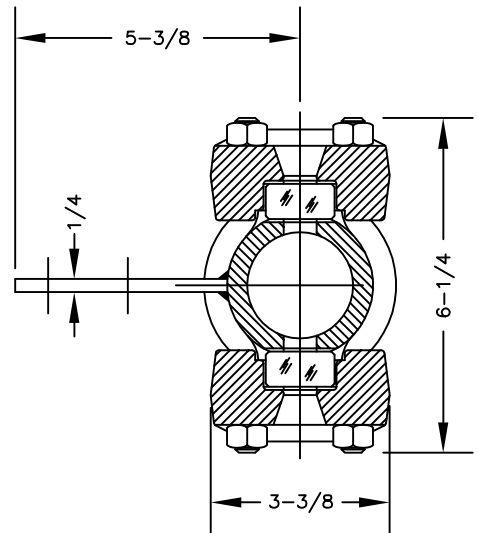
SERIES R-300L



SERIES T-300L



SERIES RL-10



SERIES TL-10

NOTE:
ON RL-10 GAGES.
BRACKET IS WELDED
AFTER BOLT IS IN
PLACE

3	REDRAWN & UPDATED	3/22/02	
2	REPLACED SER.12 W/ SER.300L	3/7/00	
1	REDRAWN & UPDATED	7/27/92	
SYM	REVISION	DATE	APP

BRACKET ARRANGEMENT
FOR STANDARD GAGES

JERGUSON
GAGE & VALVE CO.
STRONGSVILLE, OHIO, U.S.A.

DRAWN
CMS
CHECKED
CEL
APPROVED

FILE NO.
DRAWING NO.
GD-961
REV. 3

SCALE NONE DATE 3/22/02