

HOW TO SPECIFY⁽¹⁾ THE PHAETON XTL BY PART NUMBER

NOTE:
EXAMPLE IS A 6" PHAETON WITH ANNOIDIZED ALUMINUM RING, 120 VAC POWER SUPPLY WITH 8' OF CONNECTING CORDS AND ZINC PLATED MOUNTING SET FOR .875" TO 1.25" THICK RETAINER.

TIK-PH-6L-01-01-2C

RING SIZE _____
4=4" LIGHT
6=6" LIGHT

LIGHT HOUSING _____
L=ANNOIDIZED ALUMINUM (STD)
S=STAINLESS STEEL

POWER SUPPLY _____
01=120 VAC
02=240 VAC

TOTAL CORD LENGTH _____
01=8'/2.5M (STANDARD)
02=24'/7.5M
03=40'/12.5M
04=56'/17.5M
05=72'/22.5M

BRACKET OPTION
1=FOR RETAINER THICKNESS .500" TO .875" (12.7mm TO 22.2mm)
2=FOR RETAINER THICKNESS OVER .875" TO 1.25" (22.2mm TO 31.8mm)
9=SPECIAL

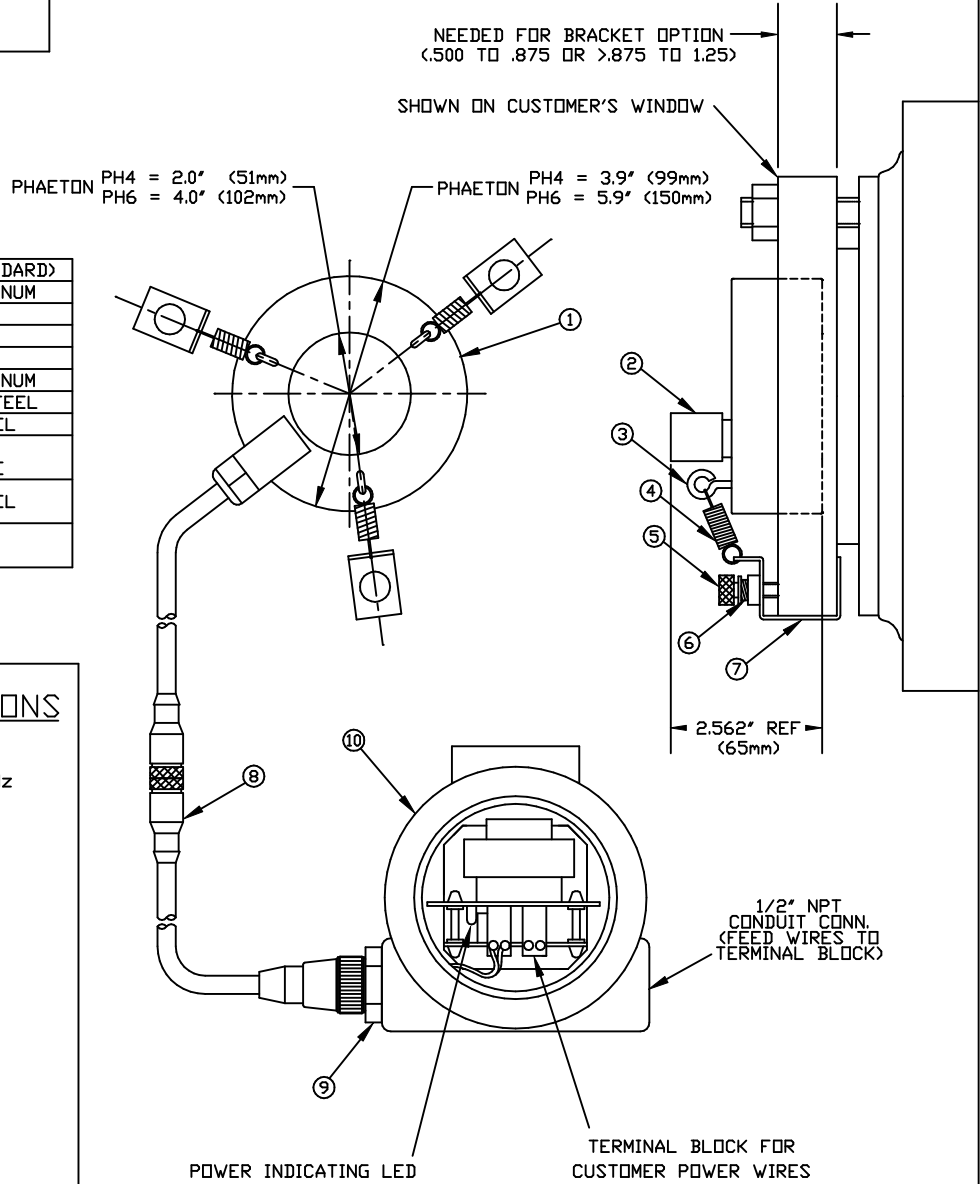
BRACKET MATERIAL
C=ZINC PLATED STEEL BRACKET SET (STANDARD)
S=ALL STAINLESS STEEL BRACKET SET

THIS DRAWING AND ALL INFORMATION ON IT IS THE PROPERTY OF THE CLARK-RELiance CORPORATION. IT IS CONFIDENTIAL AND IS GIVEN TO YOU FOR A LIMITED PURPOSE AND MUST BE RETURNED UPON REQUEST. NEITHER THIS DRAWING NOR ANY PART OF IT NOR ANY INFORMATION CONCERNING IT MAY BE COPIED, EXHIBITED OR FURNISHED TO OTHERS NOR MAY PHOTOGRAPHS BE TAKEN OF ANY ARTICLE FABRICATED OR ASSEMBLED FROM THIS DRAWING WITHOUT CONSENT OF THE CLARK-RELiance CORPORATION.

ITEM	NAME OF PART	QTY.	MATERIAL (STANDARD)
1	LED HOUSING	1	ANNOIDIZED ALUMINUM
2	CORD GRIP	1	PLASTIC
3	EYE BOLT	3	ZINC PLATED
4	SPRING	3	ZINC PLATED
5	THUMB SCREW	3	ANNOIDIZED ALUMINUM
6	SCREW SPRING	3	ZINC PLATED STEEL
7	BRACKET	3	STAINLESS STEEL
8	CORDSET	1	PVC COATED SHIELDED CABLE
9	EXP. PROOF RECEPTACLE	1	STAINLESS STEEL
10	ENCLOSURE	1	EPOXY COATED ALUMINUM

PHAETON XTL SPECIFICATIONS

POWER SUPPLY INPUT: 120/240 VAC @ 50/60 Hz
 POWER OUTPUT: 12.3 VDC (500 MA)
 POWER CONSUMPTION: <1.0 AMP @ 120 VAC
 <0.5 AMP @ 240 VAC
 ESTIMATED LIFE: 100,000 HOURS (CONTINUOUS)
 ELECTRICAL CONNECTION: 1/2" NPT (FEMALE)
 WIRE SIZE: MIN. 18 AWG / MAX. 12 AWG
 MAX. DISTANCE FROM POWER SUPPLY TO LIGHT: 72' (22.5M)
 AMBIENT TEMP.: -40°F (-40°C) TO 122°F (50°C)
 AGENCY APPROVALS: NEMA 4, NEMA 4X
 FM APPROVED FOR CLASS I, DIV. 1, GROUPS B, C, D & T4
 CLASS II, DIV. 1, GROUPS E, F, G & T4
 INTRINSICALLY SAFE OUTPUT



(1) **IMPORTANT:**
PLANT SAFETY ENGINEER IS RESPONSIBLE FOR DETERMINING SUITABILITY OF THE UNIT IN ANY PARTICULAR HAZARDOUS LOCATION. JACOBY-TARBOX IS A REGISTERED TRADEMARK OF THE CLARK-RELiance CORP.