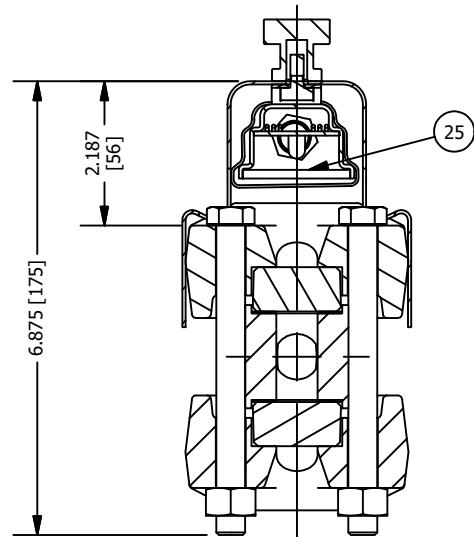
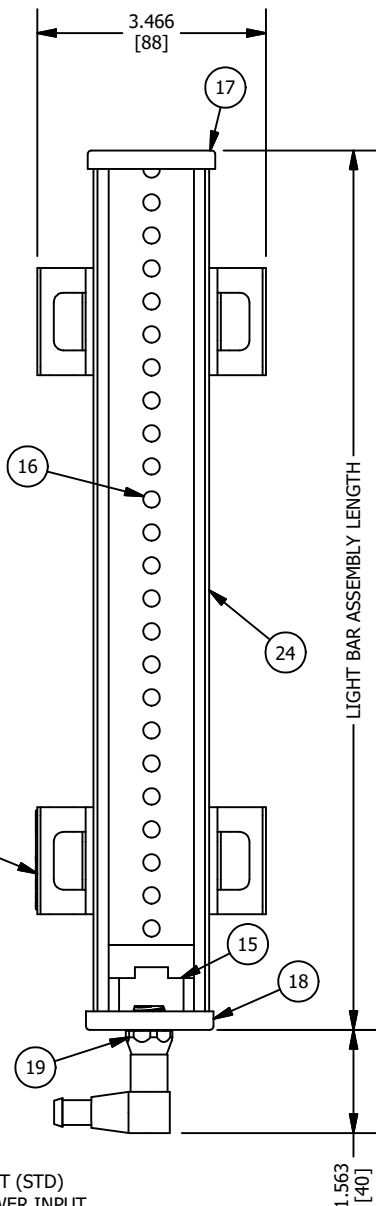


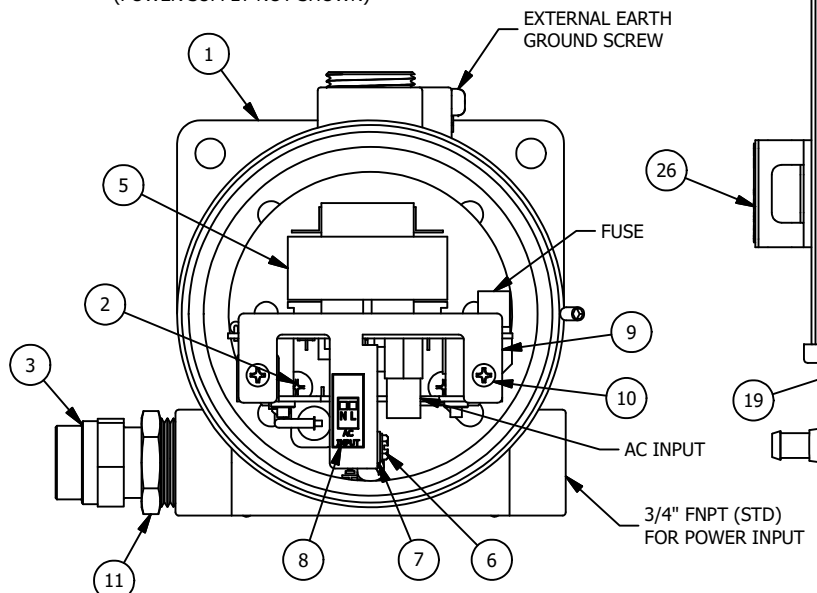
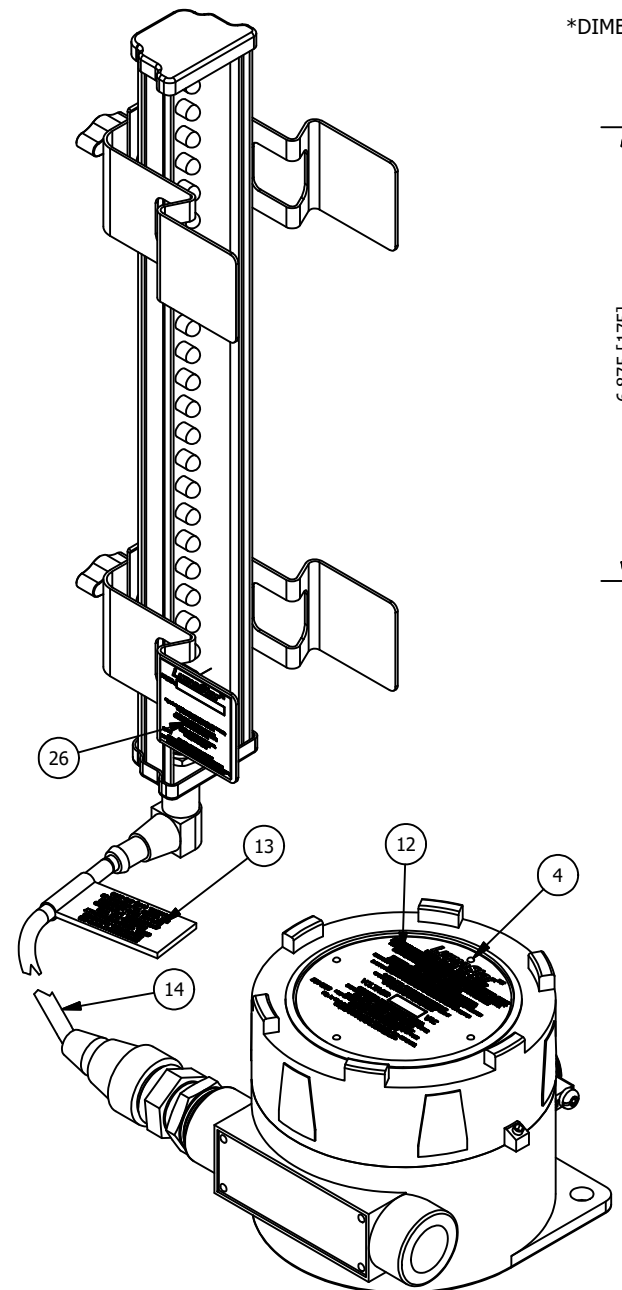
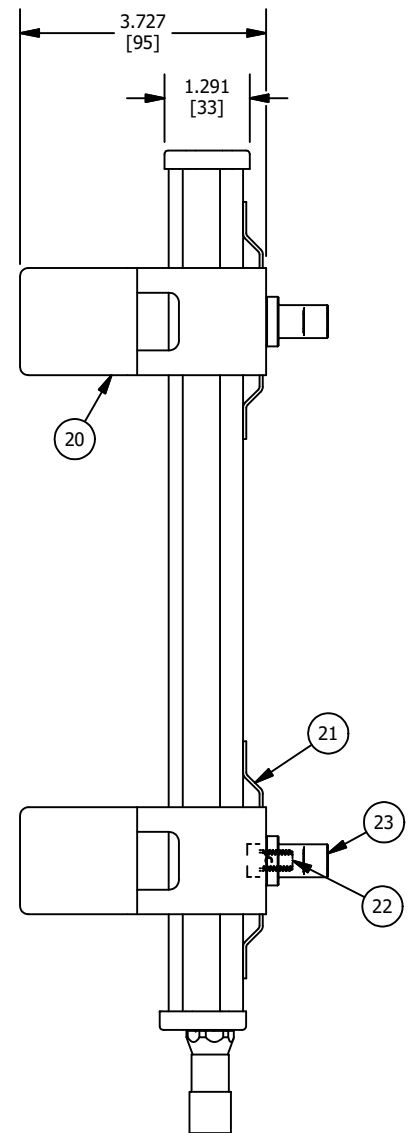
DIMENSIONS IN INCHES W/ mm EQUIVALENT IN BRACKETS



SECTION VIEW OF LIGHT STRIP MOUNTED TO TRANSPARENT GAGE (POWER SUPPLY NOT SHOWN)



LIGHT BAR ASSEMBLY LENGTH



SPECIFICATIONS

POWER SUPPLY (Um): 115 OR 230 VAC @ 50-60 Hz ± 10%
 HAZARDOUS LOCATION APPROVALS: cETLus: CLASS I, DIV 1, GROUPS B,C,D,T4 IP66/TYPE 4X
 ETLus: CLASS I, ZONE 1, AEx db [ib] IIB+H2 T4 Gb IP66/TYPE 4X
 cETL: Ex db [ib] IIB+H2 T4 Gb IP66/TYPE 4X
 APPROVALS: Intertek 5014669 INTERTEK 5014669
 ATEX: II 2 G Ex db [ib] IIB+H2 T4 Gb IP66/TYPE 4X
 ITS20ATEX25919X
 IECEx: Ex db [ib] IIB+H2 Gb IP66/TYPE 4X
 IECEx ETL 20.0063X

ORDINARY LOCATION APPROVALS:
 AMBIENT TEMPERATURE: -40°C/-40°F ≤ Ta ≤ 60°C/140°F
 WIRE SIZE: MIN 0.8mm²/ MAX 3.5mm² (MIN 18 AWG/ MAX 12 AWG)
 MAX DIST. POWER SUPPLY TO LIGHT: 22M (72 FEET) VIA CLARK RELIANCE CORDS V21249/V20601-XX ONLY.
 ELECTRICAL CONN.: 3/4 FNPT
 ELECTRICAL OUTPUT MAXIMUM: 21.42Vdc, 0.148A, 1.18W
 ESTIMATED LIFE: 100,000 HOURS (CONTINUOUS)



LIGHT BAR ASSEMBLY LENGTH					
NUMBER OF SECTIONS					
	1	2	3	4	5
SERIES 20/32/300L					
1	5.41				
2	5.41				
3	7.41	15.41			
4	7.41	17.41			
5	9.41	19.41			
6	11.41	21.41	31.41		
7	11.41	23.41	35.41	47.41	59.41
8	13.41	27.41	39.41	53.41	
9	13.41	29.41	41.41	57.41	
SERIES 300L					
11	11.41	23.41	35.41	47.41	
12	13.41	25.41	39.41	51.41	
13	13.41	27.41	41.41	55.41	
15	15.41	31.41	47.41		
18	19.41	37.41	57.41		
20	21.41	41.41			

MODEL NUMBER DESIGNATION

EPL-316-#-#-#-#-#

LUMASTAR MODEL EPL-316
 115 OR 230 VAC, 50/60 Hz
 NEMA 4, 4x, 7, IP66

DAISY CHAINED/REMOTE
 BLANK = STANDARD
 D = DAISY CHAIN
 -FOR MULTIPLE SINGLE SECTIONS WITH REINFORCE CABLE, CONSULT FACTORY FOR MAXIMUM LENGTHS AND NUMBER OF SECTIONS

GAGE WINDOW SIZE
 SERIES 20 (1 THRU 9)
 SERIES 300L (11,12,13,15,18,20)

PREWIRED TERMINAL CONNECTIONS
 1 = US/CAN, 115 VAC, 50/60 Hz
 2 = US/CAN, 230 VAC, 50/60 Hz
 3 = ATEX/IECEx, 115 VAC, 50/60 Hz
 4 = ATEX/IECEx, 230 VAC, 50/60 Hz
 24 VDC OPTION AVAILABLE

NUMBER OF GAGE SECTIONS
 (1,2,3,4,5)
 SEE LIGHT BAR ASSEMBLY LENGTH TABLE AT RIGHT FOR AVAILABLE UNITS

MOUNTING BRACKET
 1 = UNIVERSAL MOUNTING BRACKET FOR COVER PLATES UP TO 3-1/2" IN WIDTH. USED FOR ALL JERGUSON SERIES 20/30/32/L10/300L/5/12/18 AND COMPETITIVE L/M/H SERIES GAGES

NOTE: ALL POWER SUPPLIES ARE REMOTE MOUNTED.

BILL OF MATERIAL

NO.	NAME OF PART	QTY.	MATERIAL	PART NO.
1	ENCLOSURE	1	316SS	V22514 TE
2	SCREW, MACHINE	2	18-8SS	X172633
3	RECEPTICAL	1	-	V20603
4	SCREW, DRIVE	4	18-8SS	P1654
5	POWER SUPPLY, 115	1	-	S25115 115
	POWER SUPPLY, 230		-	S25115 230
6	SCREW, GROUND, 6-32	1	STEEL	X173344
7	WASHER, FLAT	1	303SS	X174110
8	LABEL, INPUT, AC	1	POLYESTER	V22712
9	BRACKET, DIVIDER	1	316SS	V22719
10	SCREW, PHMS, 6-32 X 3/8	2	18-8SS	X173335
11	BUSHING, REDUCING	1	316/316LSS	P556 T
12	LABEL, POWER SUPPLY	1	316SS	V22623 T
13	LABEL, IS POWER CORD	1	POLYPROPYLENE	V20655
14	CORD, 72" LONG STANDARD	1	-	V21249
15	CIRCUIT BOARD, END	1	-	S23174 END
16	BOARD, LIGHT	PER ORDER	-	S23174 4
	BOARD, LIGHT	PER ORDER	-	S23174 6
	BOARD, LIGHT	PER ORDER	-	S23174 8
	BOARD, LIGHT	PER ORDER	-	S23174 10
	BOARD, LIGHT	PER ORDER	-	S23174 12
17	END CAP, TOP	1	316SS	V21259 2 T
18	END CAP, BOTTOM	1	316SS	V21259 1 T
19	CONNECTOR, FEMALE	1	316SS	V21303
20	BRACKET, UNIVERSAL	2	316SS	V21423
21	BRACKET, MOUNTING	2	316SS	V21260 T
22	BOLT, T	2	316SS	V21266 T
23	NUT, THUMB	2	316SS	V20997 T
24	BODY, LIGHT	PER ORDER	316SS	V21215 T
25	GLASS	PER ORDER	GLASS	V21261
26	TAG, EPL-316	1	316SS	V20487 E

* OPTIONAL POWER SUPPLIES AVAILABLE WITH ATEX/IECEx APPROVAL

SPARE PARTS

PART NUMBER	DESCRIPTION
S24983	BRACKET, UNIVERSAL
A25115 115	115 VAC POWER SUPPLY/BRACKET SUB-ASSEMBLY
A25115 230	230 VAC POWER SUPPLY/BRACKET SUB-ASSEMBLY
A25119 115 TE L	115 VAC US/CAN POWER SUPPLY w/ EXPLOSION-PROOF ENCLOSURE
A25119 230 TE L	230 VAC US/CANPOWER SUPPLY w/ EXPLOSION-PROOF ENCLOSURE
A25481 115 TT L	115 VAC ATEX/IECEx POWER SUPPLY w/ EXPLOSION-PROOF ENCLOSURE
A25481 230 TT L	230 VAC ATEX/IECEx POWER SUPPLY w/ EXPLOSION-PROOF ENCLOSURE
V21249	72" CABLE W/ 90 DEGREE CONNECTOR
E F DIN 0250 T	FUSE, 250 mA, 115 VAC
E F DIN 0125 T	FUSE, 125 mA, 230 VAC
V19705 F	M20 METRIC ADAPTOR (3/4"MNPT x M20 FEMALE)

REFER TO THE FOLLOWING (FOR):
 - CATALOG BULLETIN J100.32 (ADDITIONAL INFORMATION)
 - IOM BULLETIN J500.32 (INSTRUCTIONS - INCLUDING WIRING)
 - PRICE SHEET BULLETIN J800.18
 - CI-26677 (INSTALLATION AND HAZARDOUS LOCATION INFORMATION)

REV	DATE	REVISION	BY
2	06/02/2023	UPDATED POWER SUPPLY TO 316SS VERSION, UPDATED BOM	SH
1	05/27/2021	UPDATED POWER SUPPLY, UPDATED BOM, UPDATED MODEL NUMBER	SH
0	11/11/2019	NEW RELEASE	JJK

MANUFACTURED BY
Clark-Reliance®
 16633 FOLTZ PARKWAY
 STRONGSVILLE, OH 44149 USA
 (440) 572-1500 | www.clarkreliance.com
 © Clark-Reliance® LLC. All Rights Reserved.

EPL-316 LUMASTAR (OFFSHORE)

JERGUSON®

DRAWING NO.: **EPL-316**

REV.: **2**

DRAWN: **JJK**
 CHECKED: **MK**
 DATE: **11/11/2019**
 REV: **2 23-165-SH: 06/02/2023**

TOLERANCES (U.O.N.):
 C/C Dimensions: ± .125"
 Dimension Spanning: ± .125"
 Welded Parts: ± .125"
 Angles: ± 1°
 (See PES-004 for details)

THIS DRAWING CONTAINS MATERIAL THAT IS CONFIDENTIAL AND/OR PRIVILEGED FOR THE SOLE USE OF THE INTENDED RECIPIENT. ANY REVIEW, RELIANCE OR DISTRIBUTION BY OTHERS OR FORWARDING WITHOUT EXPRESS PERMISSION IS STRICTLY PROHIBITED.