

CERTIFIED DRAWING

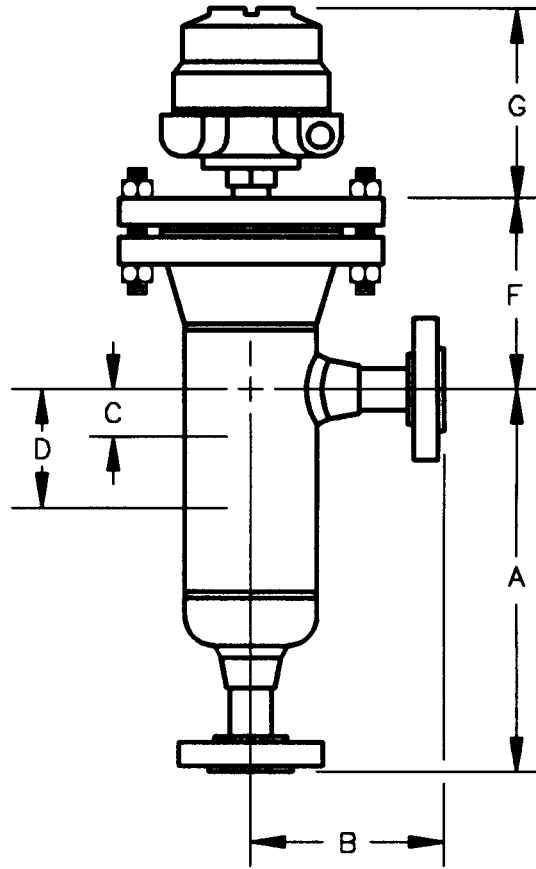
Note: Do not use for construction unless certified.

REV. _____

DATE _____

SPECIFICATIONS

CAGE	CAGE MAT'L.	
	PSIG (●100F)	
	MIN. S.G.	
	MAX. TEMP.	
	TYPE FLT./DISPL.	
CONNECTIONS	CONNECTIONS	
	MOUNTING	
	VENT	
	DRAIN	
ENCLOSURE/SWITCH	ENCLOSURE	
	CONDUIT CONN.	
	SWITCH TYPE	
	CONTACT NO.	
	CONTACT RATING	
	PNEUMATIC	
TRIM	FLT./DISP. MAT'L.	
	TRIM MAT'L.	
	SPRING MAT'L.	



Dimensional and operating level data

TAG NUMBERS	MODEL	SINGLE SWITCH	MULTI-SWITCH	B	SINGLE SWITCH		MULTI-SWITCH		F	G					
		A	A		C1	D1	C2	D2							
			XC1F		14"	16"	6"	2"			2 3/4"	5"	5 3/4"	5 3/4"	8 1/4"
			XC2F		14"	16"	6 1/2"	2"			2 3/4"	5"	5 3/4"	6"	8 1/4"
	XC3F	14"	16"	6 1/2"	2"	2 3/4"	5"	5 3/4"	6 11/16"	8 1/4"					
	XC4F	14"	16"	6 1/2"	2"	2 3/4"	5"	5 3/4"	8 1/16"	8 1/4"					
	XC5F	14"	16"	7 1/2"	2"	2 3/4"	5"	5 3/4"	8 1/16"	8 1/4"					
	XC6F	14"	16"	7 1/2"	2"	2 3/4"	5"	5 3/4"	6 9/16"	8 1/4"					
	XC7F	14"	16"	7 1/2"	2"	2 3/4"	5"	5 3/4"	7 3/8"	8 1/4"					
	XC8F	14"	16"	7 1/2"	2"	2 3/4"	5"	5 3/4"	8 1/4"	8 1/4"					
	XC9F	16"	18"	8 1/2"	2"	2 3/4"	5"	5 3/4"	7 3/16"	8 1/4"					

PRODUCT _____ MODEL _____

CUSTOMER _____ SALES ORDER NO. _____

REF. NO. _____ ITEM NO. _____

CERTIFIED BY _____ DATE _____

MAGNE-SONICS®
 A Division of The Clark • Reliance® Corporation
 13200 North Promenade
 Stafford, TX 77477 U.S.A.
 Telephone: (713) 785-4400 • Fax: (713) 785-1826

Local Rep: _____