

BILL OF MATERIAL: TOP MOUNT FMLS

ITEM	NAME OF PART	MATERIAL	REMARKS
1	FLOAT & TRIM	316SS	
2	FLANGE / FITTINGS	(PER ORDER)	
3	ENCLOSURE COVER	ALUMINUM ALLOY DRAWN STEEL	SA7 ENCLOSURE SA4 ENCLOSURE
4	ENCLOSURE BASE	ALUMINUM ALLOY	
5	PRESSURE TUBE	316SS	

NOTES:

1. DIMENSIONS IN INCHES W/ mm IN BRACKETS.
2. FLANGED PROCESS CONNECTION SHOWN. THREADED ALSO AVAILABLE.
3. UNIT SHOWN W/ STANDARD ENCLOSURE EXTENSION. REFER TO ENCLOSURE EXTENSION OPTIONS FOR ALTERNATES. SEE NOTE 4 FOR CR-MO UNITS.
4. CR-MO UNITS INCLUDE A 6" TEMPERATURE EXTENSION W/ COOLING FINNS AS A STANDARD. SEE ENCLOSURE EXTENSION OPTIONS & NOTE 7 FOR DETAILS.
5. MAX. PROCESS TEMPERATURES LISTED ARE SPECIFIC TO THE SWITCH AND ENCLOSURE EXTENSION. SEE NOTE 3 AND THE SWITCH RATINGS TABLE.
6. MAX TEMPERATURE OF CARBON STEEL UNIT IS 800°F/427°C.
7. DIMENSIONS REFLECT STANDARD ENCLOSURE EXTENSION. ADD ~4.38"[203] FOR 3" TEMP. EXT., OR 7.38"[279] FOR 6" TEMP. EXT WITH COOLING FINNS. SEE NOTE 3.
8. SEE BULLETIN JS100.08 FOR COMPLETE PRODUCT SPECIFICATIONS AND MODEL CODE.

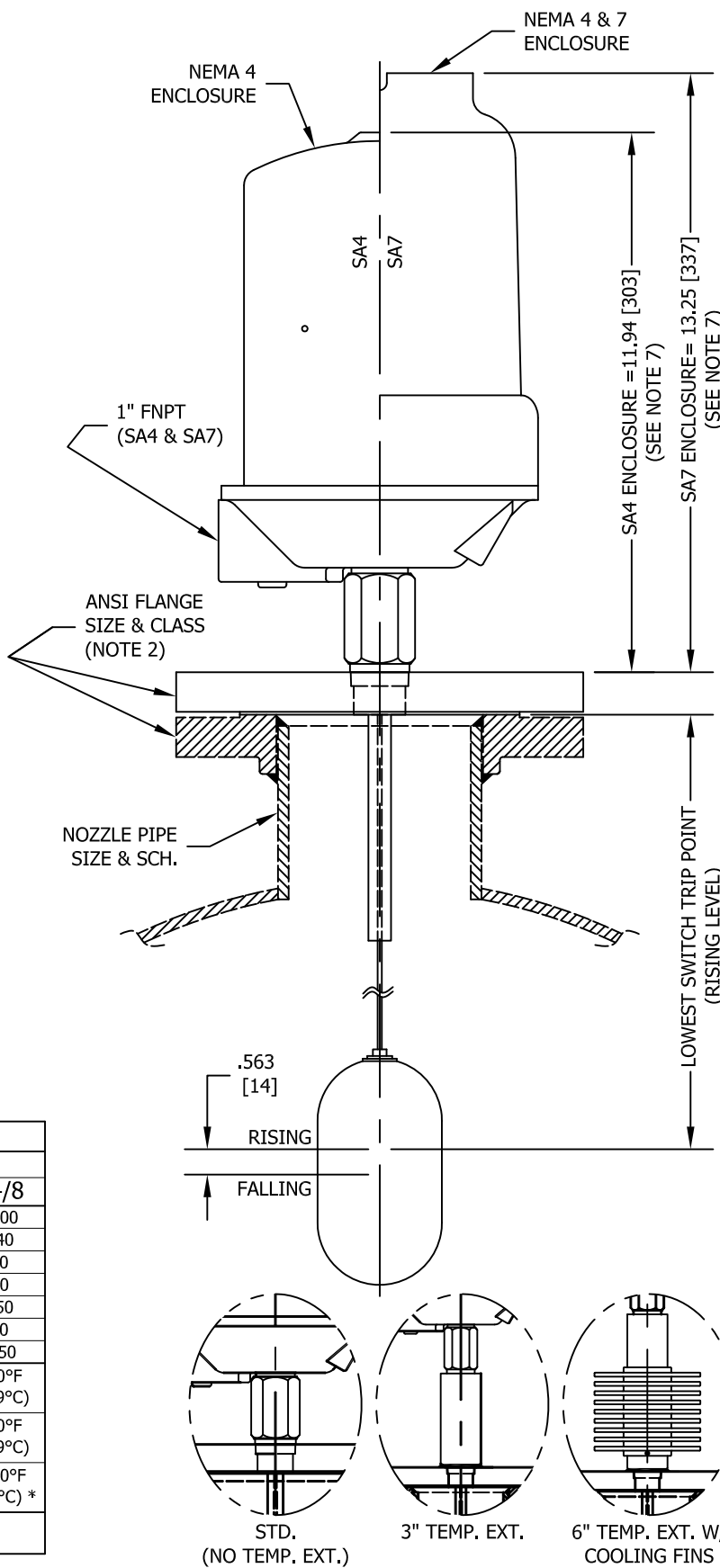
UNIT RATINGS

(PER ORDER) PSIG @ 100°F
 (PER ORDER) PSIG @ 750°F
 MAX. TEMP.: (PER SWITCH)

REQUIRED DESIGN INFORMATION

ASME FLANGE SIZE & CLASS: _____
 ASME FLANGE MATERIAL: _____
 NOZZLE PIPE SIZE & SCH.: _____
 LOWEST SWITCH TRIP POINT: _____
 ENCLOSURE EXT. (OMIT FOR STD.): _____

SPECIFIC GRAVITY.: _____
 MAX OPER. PRESSURE: _____
 MAX OPER. TEMPERATURE: _____
 SWITCH COUNT (1 OR 2): _____
 SWITCH MECHANISM: _____



SWITCH RATINGS

CATEGORY		SWITCH				
		D4/8	E4/8	H4/8	P4/8	X4/8
AC MAX.	VA	2000	2000	2000	6	2000
	VOLTS	440	440	440	250	440
	AMPS	5	5	5	0.25	10
DC MAX.	WATTS	50	50	50	3.60	50
	VOLTS	250	250	250	250	250
	AMPS (RES.)	5	5	5	0.25	10
	AMPS (IND.)	0.50	0.50	0.50	0.10	0.50
MAX. PROCESS TEMP. (SEE NOTE 4)	STD. (NO EXT.)	750°F (399°C)	850°F (454°C) *	480°F (249°C)	750°F (399°C)	480°F (249°C)
	3" EXT.	1000°F (538°C) *	1000°F (538°C) *	750°F (399°C)	1000°F (538°C) *	750°F (399°C)
	6" EXT. W/ FINNS	1000°F (538°C) *	1000°F (538°C) *	850°F (454°C) *	1000°F (538°C) *	1000°F (538°C) *
	MAX. AMBIENT TEMPERATURE	140°F/60°C				

* SEE NOTE 6

ENCLOSURE EXTENSION OPTIONS - SEE NOTE 3

REV	DATE	CHANGE	BY

MANUFACTURED BY
Clark-Reliance®
 16633 FOLTZ PARKWAY
 STRONGSVILLE, OH 44149 USA
 PH: 440-572-1500
 WEB: www.clarkreliance.com

JERGUSON®
 FLOAT OPERATED
 MAGNETIC LEVEL SWITCH
 TOP MOUNT FMLS - DESIGN SHEET

DRAWN: MBV	REV.:
CHECKED: BJK	0
DATE: 1/2/18	
REVISION: 0	
DRAWING NO.: JS200.08	