

Simpliport® 180



Reliance®
A PRODUCT OF CLARK-RELIANCE

The **Reliance® Simpliport® 180 LED Illuminator** has been designed to accept 120VAC or 240 VAC power sources and for a service life of up to 7 years. The LED Illuminators are weatherproof and are rated safe for use in ordinary locations

STORAGE and HANDLING

All units should be inspected upon receipt to ensure that no damage has been incurred during transit. If there is a claim due to damage, it should be filed with the carrier immediately. Units should be stored in a dry and sheltered area prior to installation, in a secure manner where they can neither fall, nor be struck by other objects. The temperature of the storage area should not exceed 170° F. (75° C.)

COMPONENTS

There are five main components that make up the Simpliport Illuminator Assembly: the LED Illuminator, the front end hood, the mounting bar assembly, the power supply, and the cable connecting the power supply to the LED Illuminator. The cable may have more than one piece depending on the required distance between the Illuminator and the power supply. In most cases, however, the power supply will be mounted directly to the LED Illuminator.

INSTALLATION

CAUTION: All LED Illuminators are tagged with the service conditions for that particular unit. This information is located on the power supply housing. The ratings should be reviewed prior to installation and again prior to start-up, to ensure proper operation in the installed environment.

IMPORTANT

Never remove the blue cord between the power supply and illuminator while power is applied. Doing so will cause permanent damage to the LEDs.

Note: All installation steps should be performed by a qualified technician and should be executed in accordance with all applicable national and local codes.

The LED Illuminator and power supply should be checked to ensure that they contain no foreign matter, and that the end connections are clean, undamaged, and in line with existing conduit.

Step by step instructions:

- 1) Assemble the mounting bar assemblies to the Simpliport Gage mounting lugs using the (4) 5/16" X 1" SHCS that are provided (Fig. 1).
- 2) To mount the LED Illuminator assembly to the gage: While holding the illuminator at a slight angle, slide illuminator top onto pins. Align bottom pins with slots and rest unit in place. **Note: The Simpliport® Gage must be viewed with the packing nuts facing slightly to the left. Make sure the Illuminator and viewing hood are in the correct orientation to the Simpliport® Gage. (Fig. 2)**
- 3) Repeat the procedure in Step 2 to mount the front end hood to the opposite side (viewing side) of the gage.
- 4) The unit's power supply has wire leads and a fuse ready to connect to the incoming AC power source. Remove the enclosure lid to access wiring. Connect incoming AC power source per local and National Electric Codes. The fused (red) wire is to be connected is the "Hot" and the remaining white wire is the "common".
- 5) The power supply can be remote mounted if desired. After remote mounting of power supply, if the blue power cord will not reach the power supply, contact your local representative.

Reliance®
A PRODUCT OF CLARK-RELIANCE

Typical Installation

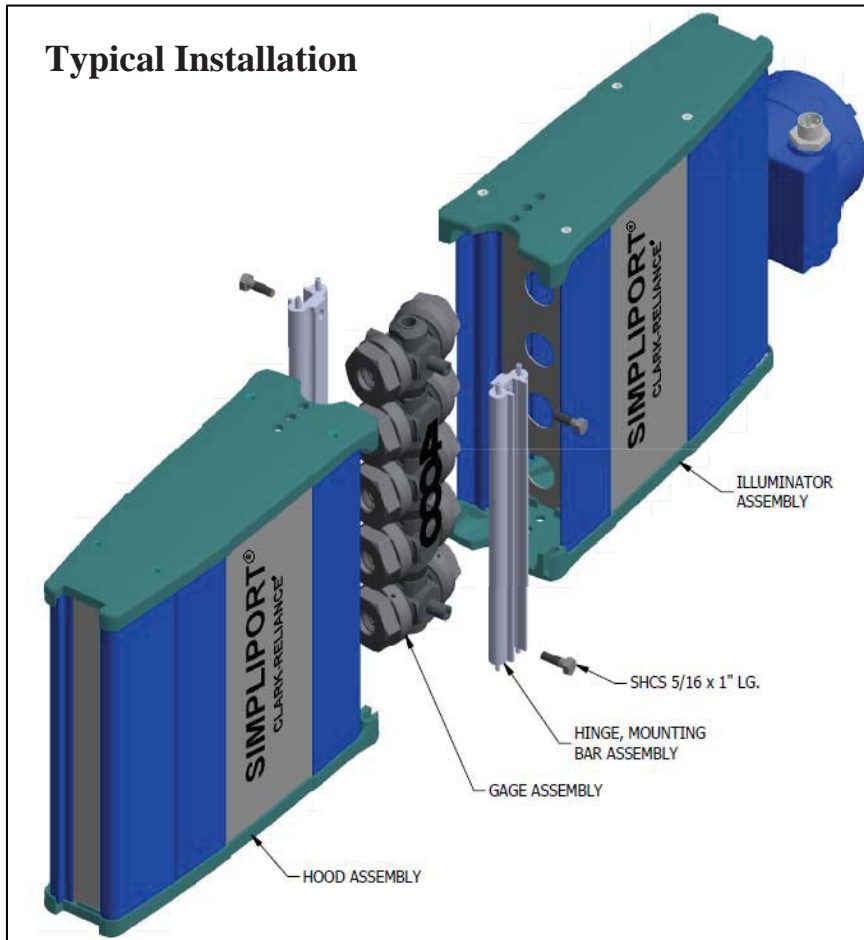


Figure 1

Viewing the Gauge

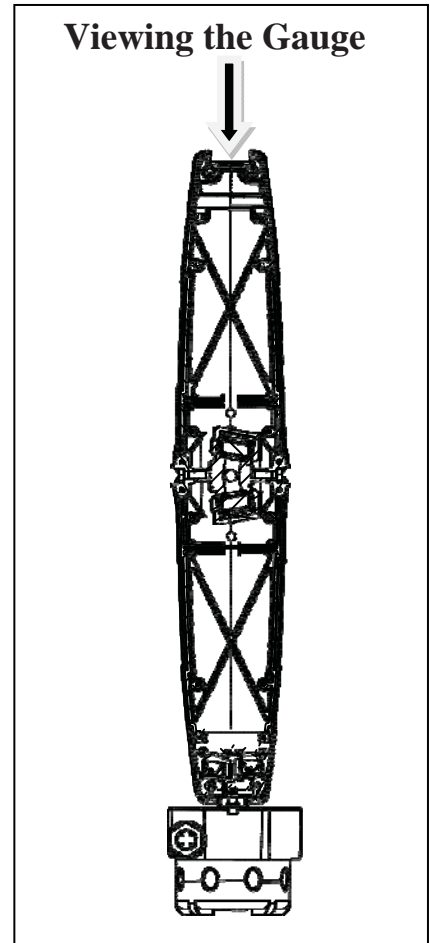


Figure 2

OPERATION

The Simplicort[®] 180 LED Illuminator can operate continuously. The operating life of the LED's is up to 7 years under normal conditions.

ROUTINE MAINTENANCE

Keep glass on the front of the front end hood and in the illuminator assembly clean using commercial glass cleaners, such as Windex[®] or similar. Never use harsh abrasives, wire brushes, metal scrapers, or any material that could scratch the glass.

The Illuminator and viewing hood may be removed while in operation to inspect the Simplicort[®] Gauge.

SPECIFICATIONS

Power Supply:	115/230 VAC @ 50-60 Hz
Max Power Consumption:	500 mA
Est. Life:	Up to 7 years (continuous)
Agency Approvals:	FM/CFM Ordinary Locations
Wire Size:	Min 16 AWG / Max 10 AWG
Max dist. from power supply to light:	72' (22 M)
Standard Cable =	8' (2.5M)
Ambient Temperature:	-40 F (-40 C) to 170 F (77C)

Reliance[®]
A PRODUCT OF CLARK-RELIANCE



On-Line Parts - *DIRECT* - for Clark-Reliance® Products

JERGUSON®

Reliance®

MAGNE-SONICS™

JACOBY-TARBOX®



www.clark-reliance.com/parts

Reliance®
A PRODUCT OF CLARK-RELIANCE

Removing Simpliport® 180 Optic Outputs for Outdoor Viewing in Direct Sunlight

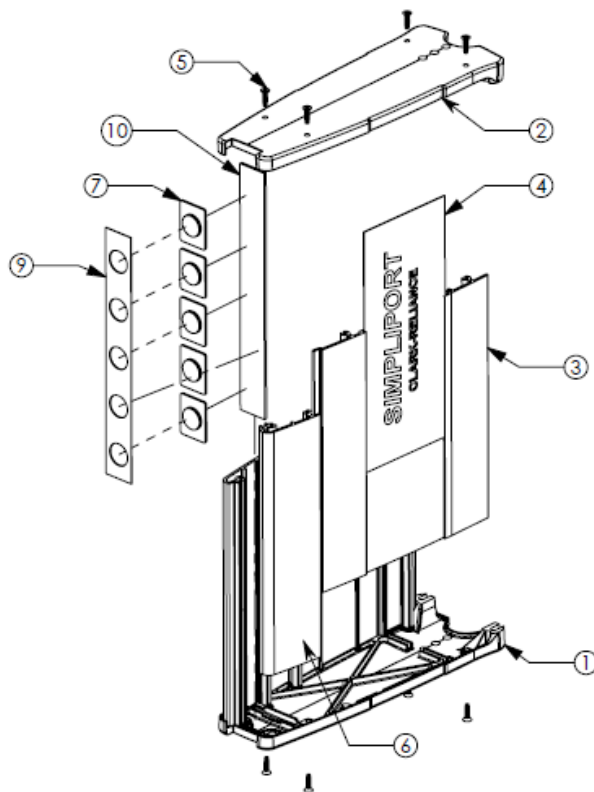


Reliance®

A PRODUCT OF CLARK-RELIANCE

When the Simpliport[®] 180 System is mounted in direct sunlight, the optic signal may be difficult to read or completely washed out by the intensity of the sunlight. Perform the following steps to improve the viewing of the water level in the gage glass. Note that the wide angle feature of the Simpliport 180 will no longer be available and the observer must look directly (horizontally) into the front hood to see the water level.

1. Using a Phillips screwdriver, remove the four screws (Item #5) from the Top End Cap (Item #2) and remove the cap.
2. Carefully slide out the Glass Shield (Item #10), the Optic Outputs (Item #7), and the Optic Output Plate (Item #9). Note: Black rubber spacer (not shown in detail below) on the bottom end cap under the Glass Shield must remain in place.
3. Set the Optic Outputs aside.
4. Insert the Glass Shield and Optic Output Plate back into the glass track in the Viewing Hood Extrusion (Item #6) with the Plate going in front of the Glass as shown in the illustration below.
5. Replace the Top End Cap, aligning the screw holes in the Cap with corresponding screw holes in the Side Panels (Item #3) and the Viewing Hood Extrusion.
6. Replace the four screws and tighten.
7. The conversion is now complete and the Front Hood can be installed back on to the Simpliport Gage Glass.



Reliance[®]
A PRODUCT OF CLARK-RELIANCE

Notes:

Reliance[®]
A PRODUCT OF CLARK-RELIANCE

16633 Foltz Parkway • Strongsville, OH 44149 USA Telephone: +1 (440) 572-1500 • Fax: +1 (440) 238-8828
www.clark-reliance.com • sales@clark-reliance.com



On-Line Parts - *DIRECT* - for Clark-Reliance® Products

JERGUSON®

Reliance®

MAGNE-SONICS™

JACOBY-TARBOX®



www.clark-reliance.com/parts

Reliance®
A PRODUCT OF CLARK-RELIANCE