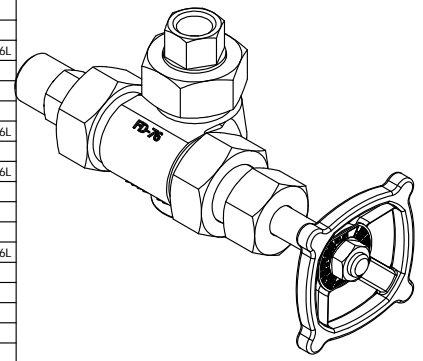


BILL OF MATERIAL (CS BODY/416SS TRIM)					BILL OF MATERIAL (316SS BODY/316SS TRIM)					BILL OF MATERIAL (ALL 316SS)				
NO.	NAME OF PART	QTY.	MATERIAL	SPECIFICATION	NO.	NAME OF PART	QTY.	MATERIAL	SPECIFICATION	NO.	NAME OF PART	QTY.	MATERIAL	SPECIFICATION
1	BODY, BOTTOM VALVE	1	CARBON STEEL	PER ORDER A105	1	BODY, BOTTOM VALVE	1	316/316LSS	PER ORDER A182 GR.F316/F316L	1	BODY, BOTTOM VALVE	1	316/316LSS	PER ORDER A182 GR.F316/F316L
2	SEAT	1	416SS	P125 U3 QO-S-763	2	SEAT	1	316/316LSS	P125 T2 A479	2	SEAT	1	316/316LSS	P125 T2 A479
3	STEM	1	416SS	S121 U3 QO-S-763	3	STEM	1	316/316LSS	S121 T2 A479	3	STEM	1	316/316LSS	S121 T2 A479
4	TAILPIECE, TANK CONN.	1	LOW TEMP CS	PER ORDER A350 GR.LF2	4	TAILPIECE, TANK CONN.	1	316/316LSS*	PER ORDER	4	TAILPIECE, TANK CONN.	1	316/316LSS*	PER ORDER
5	NUT, TAILPIECE	1	LOW TEMP CS	PER ORDER A350 GR.LF2	5	NUT, TAILPIECE	1	LOW TEMP CS	PER ORDER A350 GR.LF2	5	NUT, TAILPIECE	1	316/316LSS	PER ORDER A276 GR.F316/F316L
6	SLEEVE	1	LOW TEMP CS	P182 A32 A350 GR.LF2	6	SLEEVE	1	316/316LSS	P182 T2	6	SLEEVE	1	316/316LSS	P182 T2
7	NUT, SLEEVE	1	LOW TEMP CS	P70 6 A32 A350 GR.LF2	7	NUT, SLEEVE	1	LOW TEMP CS	P70 6 A32 A350 GR.LF2	7	NUT, SLEEVE	1	316/316LSS	P70 6 T2 A276 GR.F316/F316L
8	PACKING RING	1	LOW TEMP CS	P254 1 A32 A350 GR.LF2	8	PACKING RING	1	316/316LSS	P254 1 T2 A479	8	PACKING RING	1	316/316LSS	P254 1 T2 A479
9	PACKING	4	CARBON YARN/INCONEL	G259	9	PACKING	4	CARBON YARN/INCONEL	G259	9	PACKING	4	CARBON YARN/INCONEL	G259
10	GLAND	1	LOW TEMP CS	P39 A32 A350 GR.LF2	10	GLAND	1	LOW TEMP CS	P39 A32 A350 GR.LF2	10	GLAND	1	316/316LSS	P39 T2 A479
11	NUT, GLAND	1	LOW TEMP CS	P70 3 A32 A350 GR.LF2	11	NUT, GLAND	1	LOW TEMP CS	P70 3 A32 A350 GR.LF2	11	NUT, GLAND	1	316/316LSS	P70 3 T2 A276 GR.F316/F316L
12	BALL CHECK	1	440SS	P1 I	12	BALL CHECK	1	316SS	P1 T2 QO-S-763	12	BALL CHECK	1	316SS	P1 T2 QO-S-763
13	STOP, BALL CHECK	1	316SS	V13113 T	13	STOP, BALL CHECK	1	316SS	V13113 T	13	STOP, BALL CHECK	1	316SS	V13113 T
14	HANDWHEEL	1	CARBON STEEL	PD325 D1	14	HANDWHEEL	1	CARBON STEEL	PD325 D1	14	HANDWHEEL	1	CARBON STEEL	PD325 D1
15	NUT, STEM	1	CARBON STEEL	P78 6 A12 A563	15	NUT, STEM	1	CARBON STEEL	P78 6 A12 A563	15	NUT, STEM	1	316SS	P78 6 T
16	TAILPIECE, GAGE CONN.	1	LOW TEMP CS	PER ORDER A350 GR.LF2	16	TAILPIECE, GAGE CONN.	1	316/316LSS*	PER ORDER	16	TAILPIECE, GAGE CONN.	1	316/316LSS*	PER ORDER
17	NUT, TAILPIECE	1	LOW TEMP CS	PER ORDER A350 GR.LF2	17	NUT, TAILPIECE	1	LOW TEMP CS	PER ORDER A350 GR.LF2	17	NUT, TAILPIECE	1	316/316LSS	PER ORDER A276 GR.F316/F316L
18	RATING TAG	1	304SS	V22038 2	18	RATING TAG	1	304SS	V22038 2	18	RATING TAG	1	304SS	V22038 2

*17-4PHSS FOR SPHERICAL TAILPIECES

*17-4PHSS FOR SPHERICAL TAILPIECES

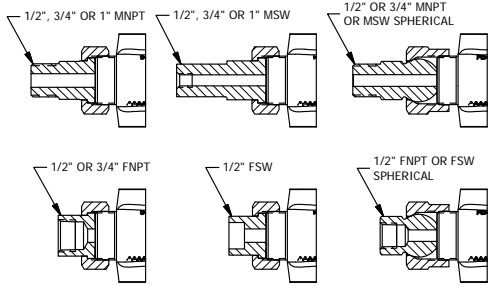
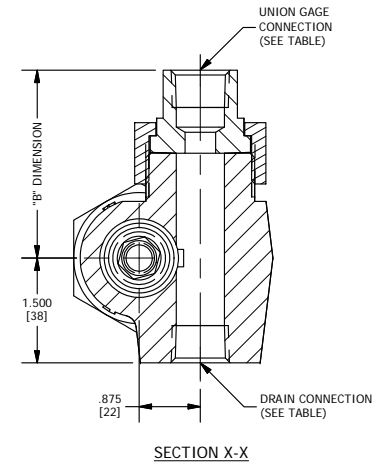
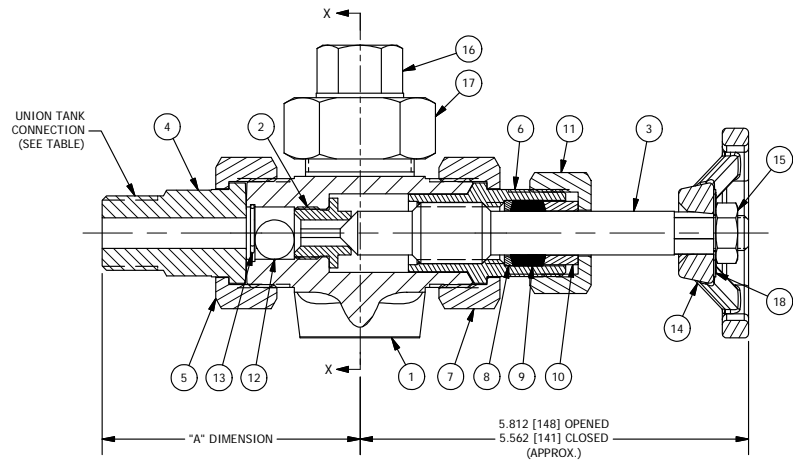


- NOTES:
- DIMENSIONS IN INCHES W/ mm EQUIVALENTS IN BRACKETS
 - TOP AND BOTTOM VALVES SAME EXCEPT OPPOSITE HANDING (I.E., MIRROR IMAGES) (BOTTOM LEFT HAND VALVE SHOWN)
 - VALVE RATING - CARBON STEEL & 316SS: 4000 PSI @ 100°F, 1308 PSI @ 800°F (281 KG/CMF @ 38°C, 92 KG/CMF @ 427°C)
 - SEE TABLES FOR AVAILABLE STANDARD CONNECTIONS
 - REFER TO THE FOLLOWING (FOR):
 - CATALOG BULLETIN J100.51 (ADDITIONAL INFORMATION)
 - 10M BULLETIN J500.07 (INSTRUCTIONS)
 - VALVE "TRIM" = SEAT, STEM & BALL CHECK
 - CONSULT FACTORY FOR ALTERNATE MATERIAL OPTIONS

UNION TANK CONNECTION ("A" DIMENSION)									
1/2" MNPT (OR MSW)	1/2" FNPT (OR FSW)	1/2" MNPT SPH. (OR MSW)	1/2" FNPT SPH. (OR FSW)	3/4" MNPT	3/4" MSW	3/4" FNPT	3/4" MNPT SPH. (OR MSW)	1" MNPT (OR MSW)	
3.688 [94]	2.813 [71]	4.313 [110]	3.438 [87]	3.688 [94]	4.500 [114]	2.813 [71]	4.313 [110]	4.125 [105]	

UNION GAGE CONNECTION ("B" DIMENSION)									
1/2" MNPT (OR MSW)	1/2" FNPT (OR FSW)	1/2" MNPT SPH. (OR MSW)	1/2" FNPT SPH. (OR FSW)	3/4" MNPT	3/4" MSW	3/4" FNPT	3/4" MNPT SPH. (OR MSW)	1" MNPT (OR MSW)	
3.563 [91]	2.688 [68]	4.188 [106]	3.313 [84]	3.563 [91]	3.563 [91]	2.688 [68]	4.188 [106]	4.000 [102]	

VENT / DRAIN CONNECTION	
1/2" OR 3/4" FNPT (OR FSW) ONLY	



TANK & GAGE CONNECTION
(3/4" FSW UNION CONNECTION NOT AVAILABLE AS STANDARD)

REV	DATE	REVISION	BY
2	10/25/2019	CHANGED PACKING MATERIAL FROM GRAPHITE/NICR	JJK
1	2/23/2018	UPDATE BOM	JLI

MANUFACTURED BY
Clark-Reliance®
 16633 FOLTZ PARKWAY
 STRONGSVILLE, OH 44149 USA
 (440) 572-1500 | www.clarkreliance.com
 © Clark-Reliance® Corporation. All Rights Reserved.

JERGUSON®
 #67 OFFSET VALVE (PLAIN-CLOSING)
 UNION TANK & GAGE CONNECTIONS

DRAWN: DDenk	REV: 2
CHECKED: MK	
DATE: 7/8/2013	
REVISION: 2	
DRAWING NO.: 67	