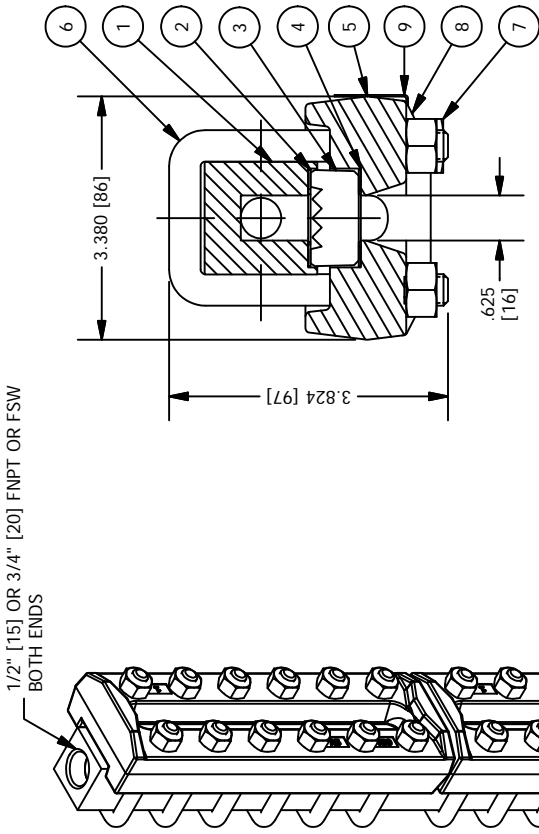


BILL OF MATERIAL (REFLEX GAGE)					
NO.	NAME OF PART	QTY.	MATERIAL	PART NO.	SPECIFICATION
1	CHAMBER, REFLEX	1	CARBON STEEL	PER ORDER	A696 GR.C/A105
2	GASKET	1 PER SECT.	IFG5500	V18980	—
3	GLASS, REFLEX	1 PER SECT.	BOROSILICATE	V16757	—
4	CUSHION	1 PER SECT.	IFG5500	V18980	—
5	COVER	1 PER SECT.	CARBON STEEL	V2 __ A5	A105
6	U-BOLT	SEE CHART	ALLOY STEEL	P256 B71	A193 GR.B7
7	HEAVY HEX NUT	SEE CHART	CARBON STEEL	V11062 2HA	A194 GR.2H
8	WASHER	2	304SS	V13936 R	—
9	TAG, RATING	1	304SS	V21864	—

- NOTES:
- DIMENSIONS IN INCHES W/ mm EQUIVALENTS IN BRACKETS.
  - REFLEX GAGE RATING VARIANCE:
    - 4000 PSI (281 KG/CM<sup>2</sup>) @ 100°F (38°C)
    - 2300 PSI (162 KG/CM<sup>2</sup>) @ 800°F (427°C)
  - >550°F REQUIRES GRAFOIL GASKETS & ALUMINOSILICATE GLASS
  - MAX SATURATED STEAM RATING FOR REFLEX GAGE IS 300 WSP.
  - REFER TO THE FOLLOWING (FOR):
    - CATALOG BULLETIN J100.10 (FULL RATINGS & ADDITIONAL INFORMATION)
    - IOM BULLETIN J500.05 (INSTRUCTIONS)
    - PRICE SHEET BULLETINS J800.11, 12, 18 (AVAILABLE OPTIONS)
  - CONSULT FACTORY FOR ALTERNATE MATERIAL OPTIONS.
  - FOR 316SS PARTS IN CONTACT REQUESTS, CHAMBER MATERIAL IS 316/316LSS PER A511 GR.MT316/316LSS

1/2" [15] OR 3/4" [20] FNPT OR FSW BOTH ENDS

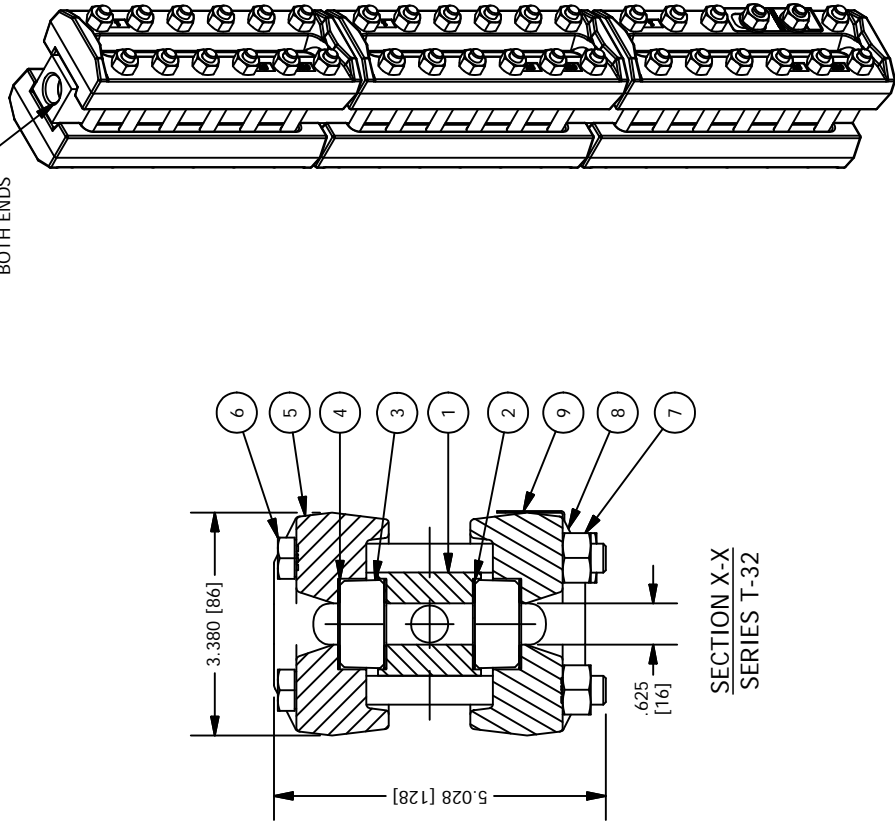


SECTION X-X  
SERIES R-32

BILL OF MATERIAL (TRANSPARENT GAGE)					
NO.	NAME OF PART	QTY.	MATERIAL	PART NO.	SPECIFICATION
1	CHAMBER, TRANSPARENT	1	CARBON STEEL	PER ORDER	A696 GR.C/A105
2	GASKET	2 PER SECT.	IFG5500	V18980	—
3	GLASS, TRANSPARENT	2 PER SECT.	BOROSILICATE	V16756	—
4	CUSHION	2 PER SECT.	IFG5500	V18980	—
5	COVER	2 PER SECT.	CARBON STEEL	V2 __ A5	A105
6	BOLT	SEE CHART	ALLOY STEEL	P263 B71	A193 GR.B7
7	HEAVY HEX NUT	SEE CHART	CARBON STEEL	V11062 2HA	A194 GR.2H
8	WASHER	2	304SS	V13936 R	—
9	TAG, RATING	1	304SS	V21864	—

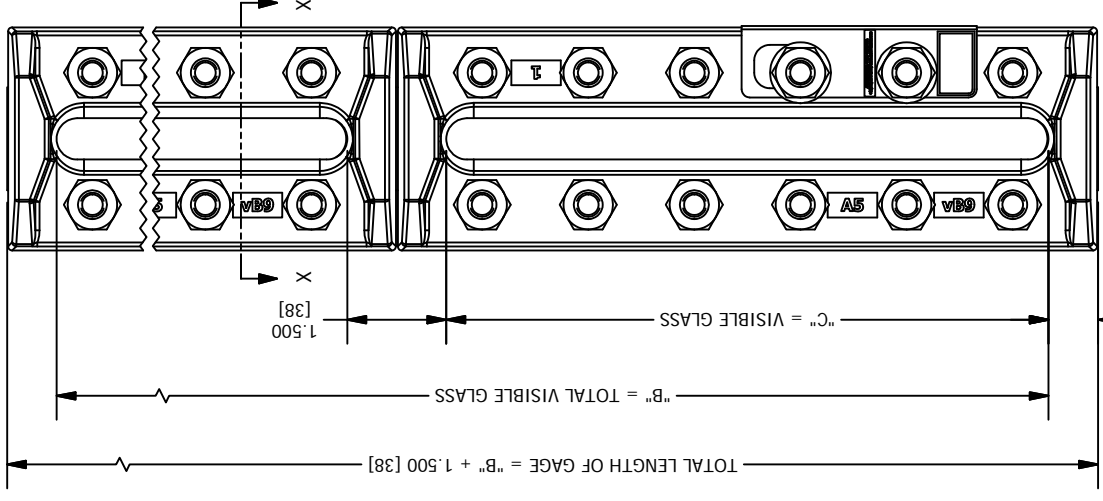
- NOTES:
- DIMENSIONS IN INCHES W/ mm EQUIVALENTS IN BRACKETS.
  - TRANSPARENT GAGE RATING VARIANCE:
    - 3000 PSI (211 KG/CM<sup>2</sup>) @ 100°F (38°C)
    - 1730 PSI (122 KG/CM<sup>2</sup>) @ 800°F (427°C)
  - >550°F REQUIRES GRAFOIL GASKETS & ALUMINOSILICATE GLASS
  - MAX SATURATED STEAM RATING FOR TRANSPARENT GAGE (W/ MICA) IS 750 WSP.
  - REFER TO THE FOLLOWING (FOR):
    - CATALOG BULLETIN J100.10 (FULL RATINGS & ADDITIONAL INFORMATION)
    - IOM BULLETIN J500.05 (INSTRUCTIONS)
    - PRICE SHEET BULLETINS J800.11, 12, 18 (AVAILABLE OPTIONS)
  - CONSULT FACTORY FOR ALTERNATE MATERIAL OPTIONS.
  - FOR 316SS PARTS IN CONTACT REQUESTS, CHAMBER MATERIAL IS 316/316LSS PER A511 GR.MT316/316LSS

1/2" [15] OR 3/4" [20] FNPT OR FSW BOTH ENDS



SECTION X-X  
SERIES T-32

TRANSPARENT GAGE  
T-32



FRONT VIEW  
REFLEX & TRANSPARENT  
SERIES 32 GAGES

SIZE NO.	QTY. PER SECT.	DIM. "C"	NUMBER OF SECTIONS								
			DIMENSION "B"								
1	6	3.750 [95]	1	2	3	4	5	6	7	8	9
2	6	4.750 [121]	1	2	3	4	5	6	7	8	9
3	8	5.750 [146]	1	2	3	4	5	6	7	8	9
4	10	6.750 [171]	1	2	3	4	5	6	7	8	9
5	10	7.875 [200]	1	2	3	4	5	6	7	8	9
6	12	9.125 [232]	1	2	3	4	5	6	7	8	9
7	14	10.250 [260]	1	2	3	4	5	6	7	8	9
8	16	11.875 [302]	1	2	3	4	5	6	7	8	9
9	16	12.625 [321]	1	2	3	4	5	6	7	8	9

MANUFACTURED BY  
**Clark-Reliance®**  
16633 FOLTZ PARKWAY  
STRONGSVILLE, OH 44149 USA  
(440) 572-1500 | www.clarkreliance.com  
© Clark-Reliance® Corporation. All Rights Reserved.

**JERGUSON®**  
SERIES 32 GAGES  
END CONNECTED  
(CARBON STEEL)

DRAWN: JJB  
CHECKED: MK  
DATE: 2/23/2016  
REVISION: 1  
DRAWING NO.:  
**32-EC-CS**  
REV.:  
**1**

REFLEX GAGE  
R-32