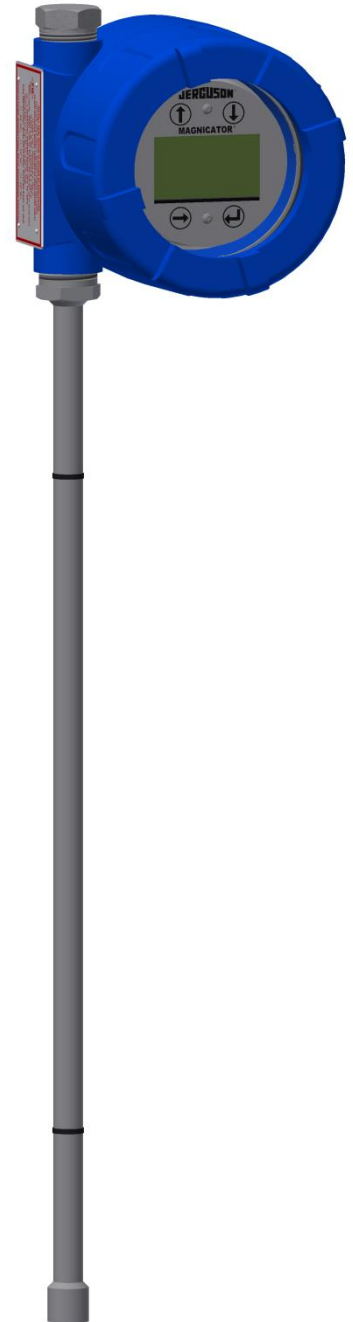


MTII 4300™

Magnetostrictive Transmitter

- 4-20 mA loop powered ; 10.5 to 28 VDC
- HART 7 protocol communications standard
- SIL2 Certified (HART Only)
- Sensing lengths from 6 inches to 228 inches (15 cm to 6 meters).
- Continuous level measurement with repeatability to .001% F.S. or 0.015 in.
- FM approved for use in hazardous locations:
 - Class I Division 1 Groups B,C & D
 - Class II Division 1 Groups E,F, & G
- CFM, ATEX, IECEx available; Contact Factory
- NEMA 4X Enclosure Standard – 316SS optional
- Easily mounts to Magnicator without removing vessel from service - No contact with fluid
- Multi-tiered Menu accessible via magnetic stylus through window – No need to remove cover!
- Reverse polarity protection (series diode)
- Lightning / Transient protection:
 - Line-to-ground surge suppression; EN 61000-4-5
 - Line-to-line and line-to-ground transient suppressors; EN 61000-4-4



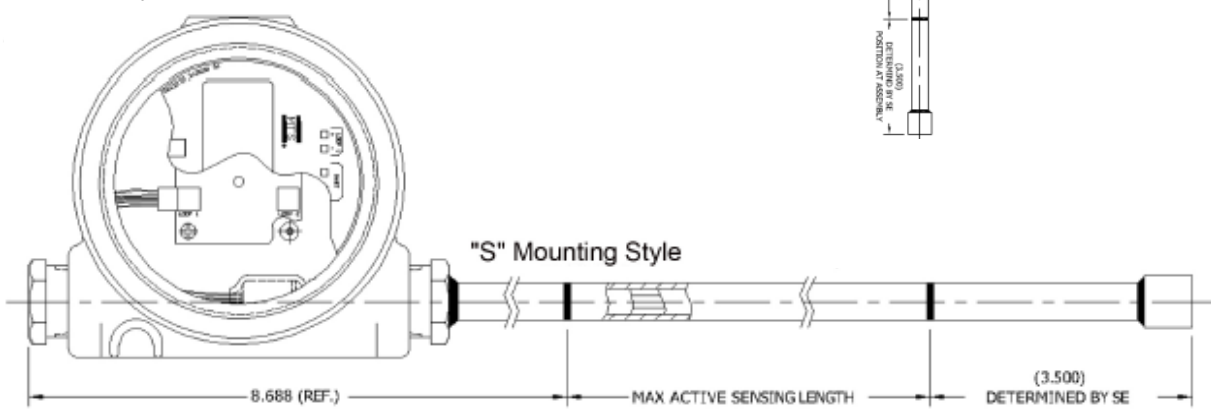
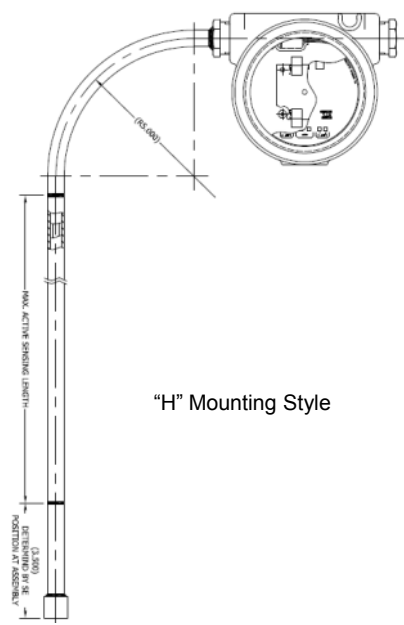
MTII4300 Magnetostrictive Transmitter

See M500.31 for complete specifications, installation, & operating instructions

MODEL NUMBER DESIGNATION
MTII4300-#-#-#-#-#-#-#-#-#-#-#-#-#

MODEL: _____
 COMM OPTION:
 H= HART
 S= SIL2 W/HART
 HOUSING:
 A= ALUMINUM w/ WINDOW (STD.)
 S= STAINLESS STEEL w/ WINDOW
 TRANSMITTER ORIENTATION:
 A= TOP LEFT HAND (STD.)
 B= TOP RIGHT HAND
 C= BOTTOM RIGHT HAND
 D= BOTTOM LEFT HAND
 LCD DISPLAY:
 M= mA OUTPUT (DEFAULT)
 I= INCHES
 P= PERCENT
 B= MILLIMETERS
 C= CENTIMETERS
 D= METERS
 E= FEET

AGENCY APPROVAL:
 F= FM, CL I DIV1, GRP B,C,D, T6
 ACTIVE SENSING LENGTH:
 IN INCHES
 MAX SENSING LENGTH:
 IN INCHES, ON 6 INCH INCREMENTS
 MOUNTING STYLE:
 S= STRAIGHT (STD.)
 H= HIGH TEMP EXTENDED
 ALARM SETTING:
 L= 3.6 mA (DEFAULT)
 H= 20.5 mA



GENERAL SPECIFICATIONS

Sensor Length	6"-228" (152mm-5791mm) for "S" Mounting Style 6"-144" (152mm-3657mm) for "H" Mounting Style
Area Classification	FMRC Class I Division 1 Groups B,C, & D
Wiring	2 wire shielded twisted pair, 24AWG min - 14AWG max
Conduit Connection	3/4" FNPT
Wiring Connection	Screw Terminal
Input Power	10.5-28VDC

OUTPUT

Fail Safe	3.5 (Default, Low), 22.8 (High)
Repeatability	.01% F.S. or 0.15 in. whichever is greater
Temperature Sensitivity	Zero:<.005% per C (.003% per F) Module -30F to 160F (-34C to -71C)
Operating Temperature	Sensing Element -40F to 257F (-40C to 125C) Electronics -40F to 160F (-40C to 71C)
Recommended Product Temperature	- 30F to 450F (-34C to 232C) Standard 650F (343C) High Temp Extended
Calibration	1-pt calibration (transmitter must have valid level at time of calibration) Field adjustable zero and span settings

NOTE: contact factory for transmitter applications with insulation

